

Dimoco Manufacturing Company Inc

● Amada® Catalog

- Guide Keys / Sheet Sensors / Dove Tails
- ACCESSORIES
- Coma / Vipros New Style Hydraulic Unit
- MH1MCO
- Pega / Vipros New Style Air Unit
- MH2MCO
- Pega Original Style Air Unit
- MH3MCO
- Lila / Coma / Vela Thin Clamp Air Unit
- MH4MCO
- Coma / Thin Clamp / Original / Hydraulic
- MH5MCO
- Vela / Coma / Thick Clamp / Original / Air
- MH6MCO
- Octo / Air Unit
- MH7MCO
- Coma / Original/ Thick Clamp / Hydraulic
- MH8MCO
- Laser Clamp / Apelio / Air Stealth
- MH12MCO
- American Style / All Units / Air Hydraulic
- AMERICAN STYLE

Replacement
Workholder Parts
for:

- DI-ACRO/STRIPPIT®
- LVD/STRIPPIT®
- FINNPOWER®
- NISSHINBO®
- WIEDEMANN®
- MURATA®

- All major credit cards accepted
- Prices subject to change without notice
- Hours: Monday thru Wednesday
8 am to 2:30 pm CST.

All above machines are registered trademarks
of their respective corporations

Email Order@Dimoco.net Call 800/888.524.3020 or
Fax 816.524.3454 for parts not on Dimoco.net



Dear Valued Customer:

Dimoco Manufacturing Company was founded in 1968 with the sole purpose of providing you with another source of obtaining both quality and reasonably priced replacement parts for your equipment. Since that time we have been committed to serving our growing customer base with high quality, low-cost replacement workholder clamps and clamp part accessories for the Amada, Wiedemann, Strippit, Finn-Power, DiAcro and Behrens NC Punch Presses.

All of our parts are manufactured in our plant, which is located in the heart of the Midwest. Because we do make and stock all of our parts, we are able to ship your orders usually the same day it is received. As always, the customer's needs dictate our inventories. This is the very reason that we are constantly expanding our product lines and improving our product. If you are not able to locate an item in our catalog, do not hesitate to inquire of the availability.

With these parts we offer you a way to prolong the life of your equipment, without having to pay such high prices for replacement parts. Proper maintenance coupled with correct timing is a combination needed to secure longevity of your equipment.

To speak to our friendly sales and customer service staff, call TOLL-FREE 800.524.3020. Also you may visit us at: www.Dimoco.net.

TERMS & CONDITIONS

CREDIT TERMS

1. We accept Credit Cards , Mastercard , Visa , Amx , and Also Paypal
2. We can also send a Paypal Invoice for advance payment to avoid COD charges
3. Paypal Invoices do require your Email or we can also ship COD

ORDERS FROM CATALOG

All orders or information needed from our catalogs (parts not listed in our store on WWW.Dimoco.net) , can be placed by Email to Order@Dimoco.net or by Phone 800/888.524.3020 and also can be faxed to 816.524.3454 .

DMC HOURS

Phone availability Monday thru Wednesday 8:00 to 2:30 pm Central Time , Email return hours , fax return hours , shipping hours on orders are Monday thru Wednesday , any rush orders must be ordered 24 hours prior to shipment .

RETURN POLICY

We accept unused parts for return within 30 days . We do not credit back freight charges . All parts returned for credit must be returned freight prepaid . Parts must be in a resellable condition and free from dents and damage to the black oxide . **Return parts to: DIMOCO MFG Attn Returns , 10 Southwest Industrial Drive, Lee's Summit, MO 64081.**

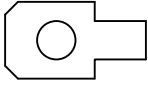
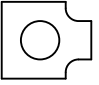
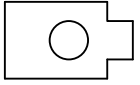
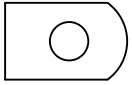
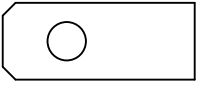
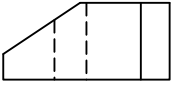
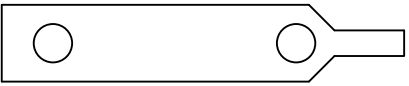
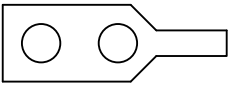
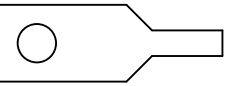
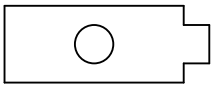
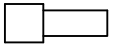
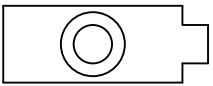

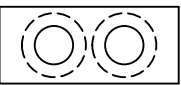
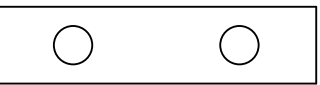

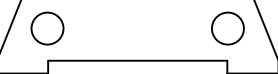
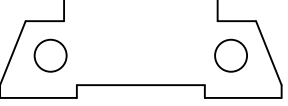
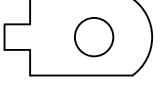

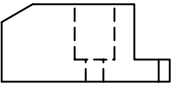
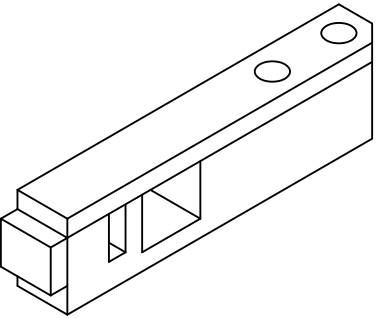
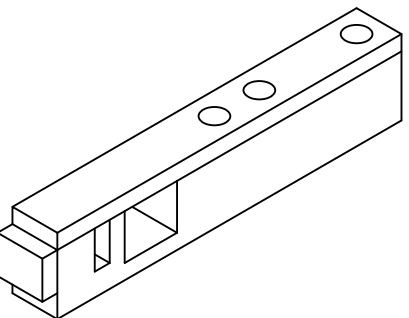
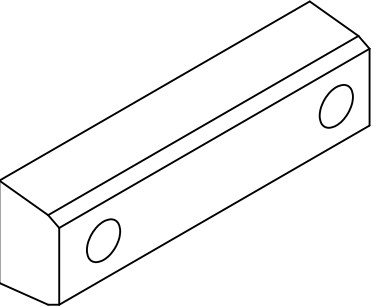
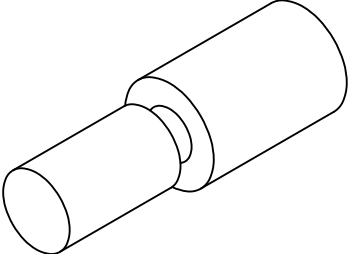
PRICES

Prices are subject to change without advance notification. All shipments will be invoiced at prices prevailing on the date of shipment or at prices quoted less then 30 days prior to shipment .

GUARANTEE

We guarantee all of our products against defects in material and workmanship under normal use and service. Any defect in material or workmanship will be corrected by repair or replacement of product FOB our plant.

Guide Keys — Sheet Sensors — Accessories

	A	B	C
1.			
2.			
3.			
4.			
5.			
6.			
7.			
8.			
9.			

ACCESSORIES

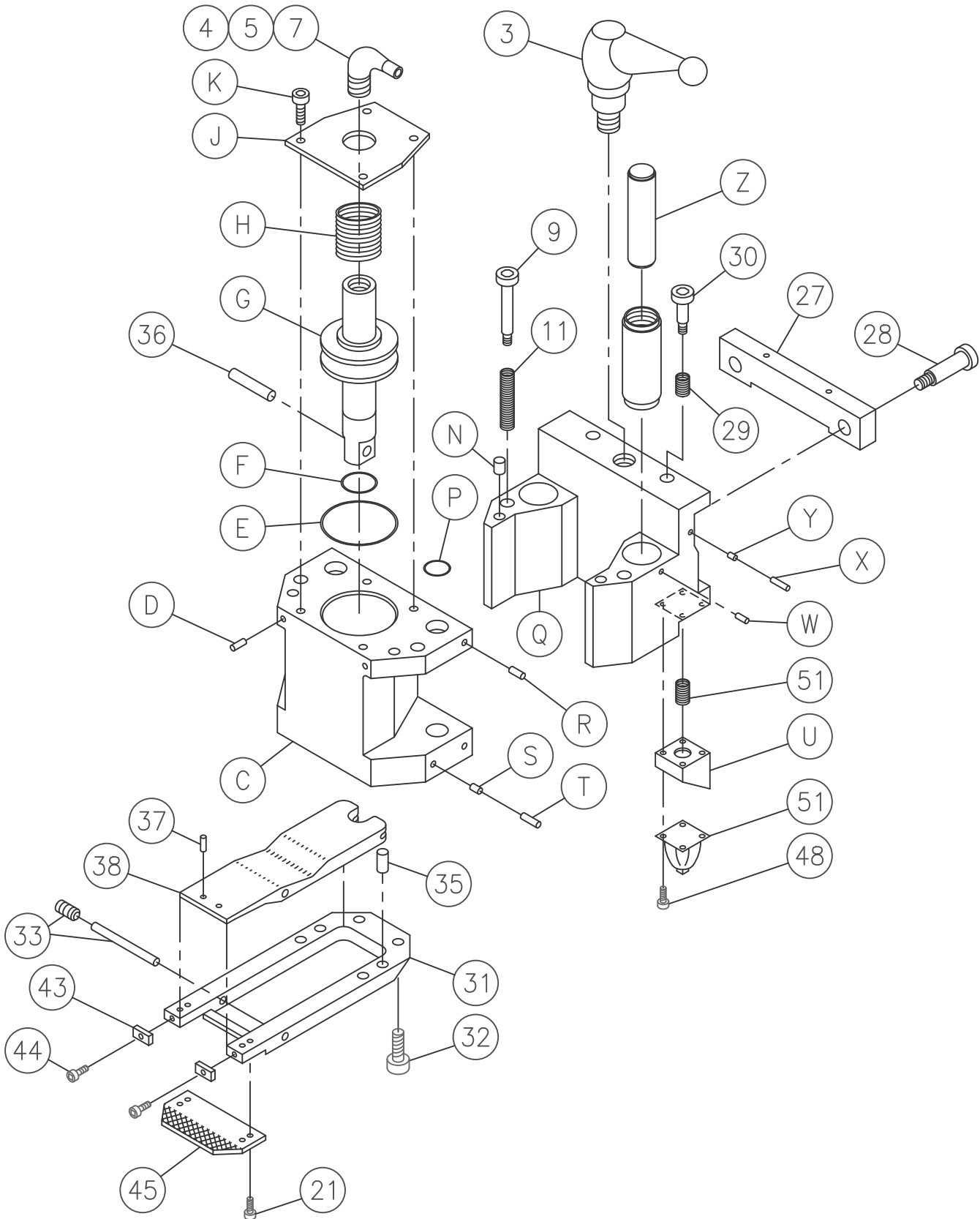
Guide Keys — Sheet Sensors — Miscellaneous

Dwg No.	DMC Part No.	Description	Price
1A	MH5MGK-CS	Guide Key (Thick Turret)	
1B	MH7MGK-1.25	Guide Key (Auto Index)	
1C	MH2MGK-1.25	Guide Key – 1.25" Station (Auto Index)	
2A	MH5MGK-3.5	Guide Key – 3.5" Station	
2B	MH1MGK-4.5	Guide Key – 4.5" Station (Auto Index)	
2B	MH5MGK-4.5	Guide Key – 4.5" Station	
2C	MH5MGK-3.5C	Guide Key	
3A	MH7MGK-.5	Guide Key	
3B	MH3MGK-1.25	Guide Key – 1.25" Station	
3C	MH3MGK-1.25B	Guide Key – 1.25" Station	
4A	MH4MGK-3.5	Guide Key	
4A	MH4MGK-3.5M	Guide Key	
4B	MH7MGK-1.5	Guide Key – 1.5" Station	
4C	MH4MGK-CS	Guide Key (Thin Turret)	
5A	MH6MGK-3.5	Guide Key	
5B	MH2MGK-4.5	Guide Key – 4.5" Station	
5C	MH5MGK-2	Guide Key – 2" Station	
6B	MH7M-DV	Dove-Tail Unit	No Longer Available
6B	MH7M-DVS	Dove Tail System (6 pieces)	No Longer Available
6C	MH6M-DV	Dove-Tail Unit	
6C	MH6M-DVS	Dove Tail System (5 pieces)	
7A	MH4MGK-1.25	Guide Key	
7B	MH4MGK-4.5	Guide Key	
7C	MH7MGK-3.5	Die Key 3.5" Station	
8A	MH3MSS	Sheet Sensor	
8B	MH6MSS	Sheet Sensor	
8B	MH6MSS-Y	Sheet Sensor (Y-Adaptor)	No Longer Available
8C	MHOSWP	Shear Wear Pad	No Longer Available

DIMOCO MANUFACTURING COMPANY INC

To place an order call toll-free 800.524.3020 or fax 816.524.3454 or www.Dimoco.net

Coma – New Style – Hydraulic



MH1MCO

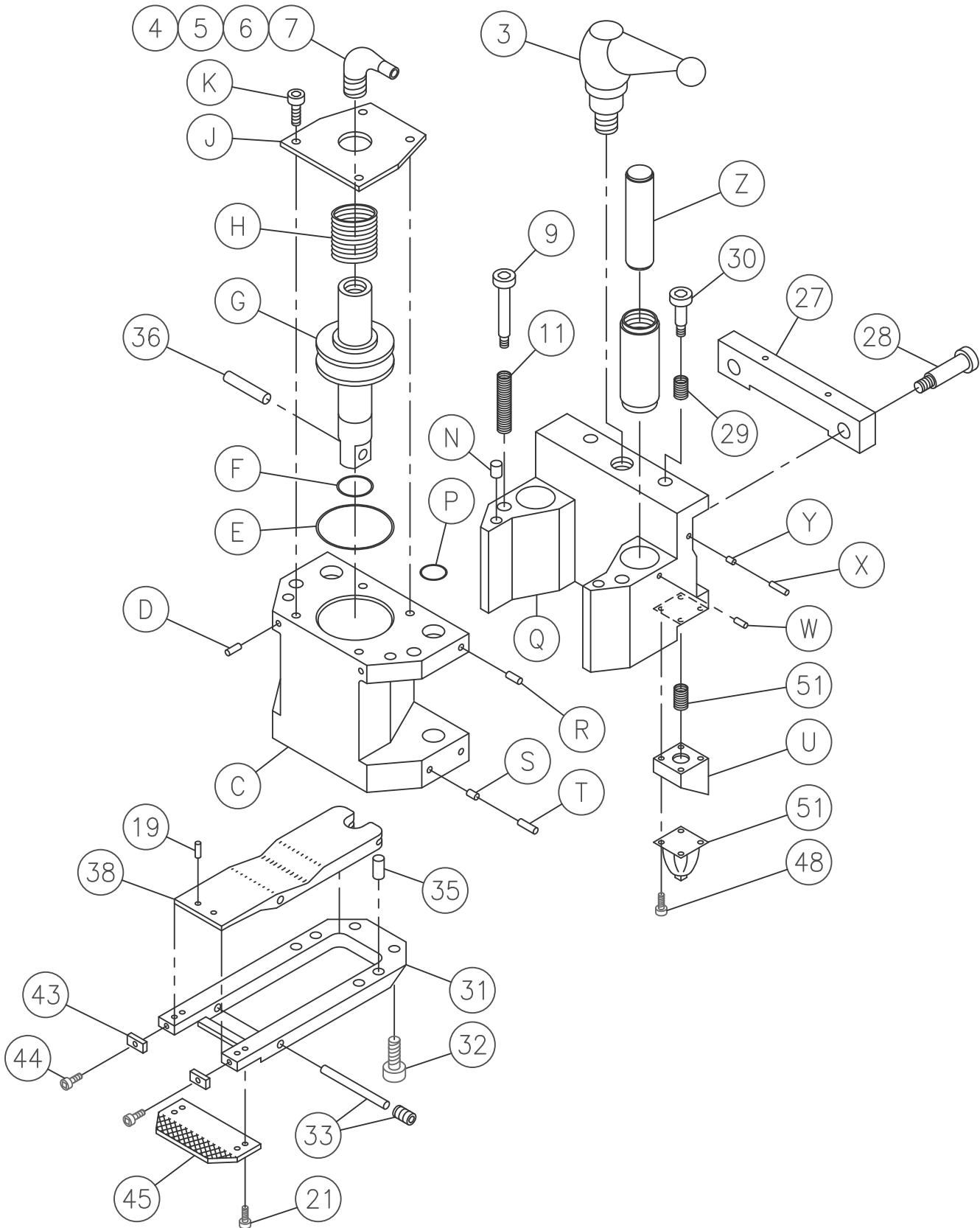
Component Parts – New Style Hydraulic

Dwg No.	DMC Part No.	Description	Price
00	MH1MCO	Complete Assembly/Carbide Style	
00	MH1MCO-S	Complete Assembly/Screw Style	
00	MH1MJA	Clamp Ass'y/Carbide Style (Incl. #31,38,43,45)	
00	MH1MJA-S	Clamp Ass'y/Screw Style (Incl. #31,38,43, 45)	
03	MH1MCP-18	Clamp Lever (Steel 10mm)	
04	MH5MCP-38A	Elbow	
05	MH5MCP-38B	Hose, Hydraulic	
07	MH5MCP-38D	Coupler Assembly USA Style No Longer Available	
09	MH6MCP-23	Bolt AH 6x100	
11	MH6MCP-54	Clamp Base Spring	
21	MH7ARP-21	Screw, FH Pkg of 10	
27	MH5MCP-08	Dove-Tail Clamp	
28	MH2MCP-28	Bolt	
29	MH3MCP-04	Dove-Tail Spring	
30	MH2MCP-30	Bolt	
31	MH1MPA	Clamp Base (Incl. #33)	
32	MHSCS08X20	Screw, AH Pkg of 10	
33	MH1MCP-27	Straight Pin & Set Screw	
35	MH2MCP-31	Straight Pin	
36	MH5MCP-36	Straight Pin	
37	MHSSS05X06	Screw, SS Pkg of 10	
38	MH1MUJ	Clamper/Carbide Style	
38	MH1MUJ-S	Clamper/Screw Style (Incl. #37)	
43	MH2MCP-32	Stopper Plate (Incl. #44)	
44	MHSFSO4X10	Screw, FH Pkg of 10	
45	MH3MLJ	Clamp Plate (Incl. #21)	
45	MH3MLJ-C	Clamp Plate/Carbide Style	
48	MHSCS04X20	Screw, SH Pkg of 10	
51	MH4MCP-16	Roller Cam/Head	
99	MH4M-S10	.010 Shims Pkg of 10	
99	MH4M-S3	.003 Shims Pkg of 10	
99	MH4M-S5	.005 Shims Pkg of 10	
99	MH5MUB	Urethane Boot	

DIMOCO MANUFACTURING COMPANY INC

To place an order call toll-free 800.524.3020 or fax 816.524.3454 or www.Dimoco.net

Pega – New Style – Air



MH2MCO

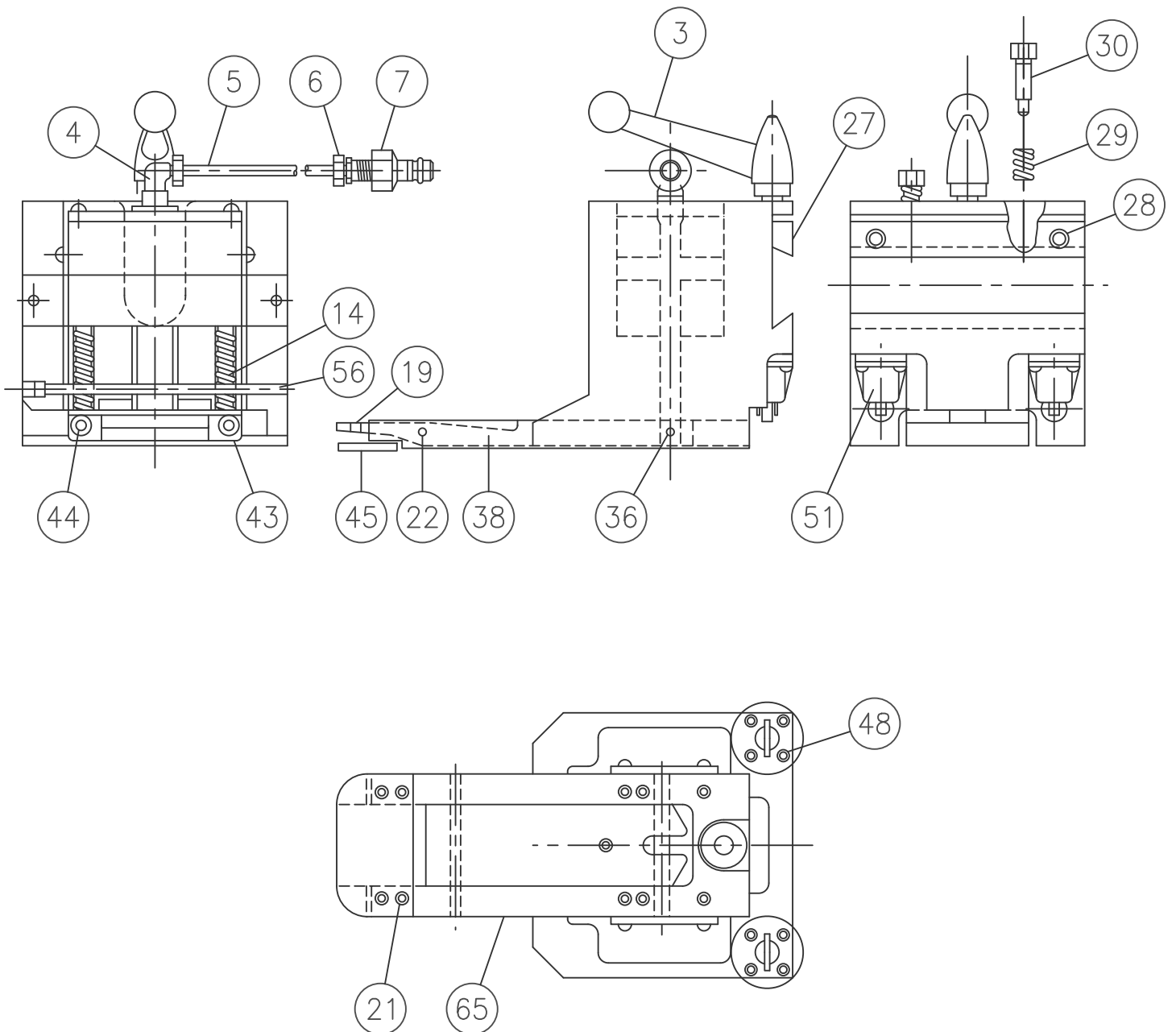
Component Parts – New Style Air

Dwg No.	DMC Part No.	Description	Price
00	MH2MCO	Complete Assembly/Carbide Style	
00	MH2MCO-S	Complete Assembly/Screw Style	
00	MH2MJA	Clamp Ass'y/Carbide Style (Incl. #31,38,43,45)	
00	MH2MJA-S	Clamp Ass'y/Screw Style (Incl. #31,38,43,45)	
00	MH2MJA-3/8	Clamp Assembly/1/8-3/8 (Incl. #31,38,43,45)	
03	MH1MCP-18	Clamp Lever (Steel 10mm)	
04	MH6MCP-38	Hose Assembly	
04	MH6MCP-38A	Elbow	
05	MH6MCP-38B	Flexible Tubing	
06	MH6MCP-38C	Male Nipple	
07	MH6MCP-38D	Coupler Assembly	
07	MH6MCP-38E	No Longer Sold	
09	MH6MCP-23	Bolt AH 6x100	
11	MH6MCP-54	Clamp Base Spring	
19	MHSSS05X05	Screw, SS Pkg of 10	
21	MH7ARP-21	Screw, FH Pkg of 10	
27	MH3MCP-08	Dove-Tail Clamp	
28	MH2MCP-28	Bolt	
29	MH3MCP-04	Dove-Tail Spring	
30	MH2MCP-30	Bolt	
31	MH2MPA	Clamp Base (Incl. #33)	
31	MH2MPA-3/8	Clamp Base 1/8-3/8 (Incl. #33)	
32	MHSCS08X20	Screw, AH Pkg of 10	
33	MH2MCP-27	Straight Pin & Set Screw	
35	MH2MCP-31	Straight Pin	
36	MH6MCP-36	Straight Pin	
38	MH2MUJ	Clamper/Carbide Style	
38	MH2MUJ-S	Clamper/Screw Style (Incl. #19)	
43	MH2MCP-32	Stopper Plate (Incl. #44)	
44	MHSFS04X10	Screw, FH Pkg of 10	
45	MH3MLJ	Clamp Plate (Incl. #21)	
45	MH3MLJ-C	Clamp Plate/Carbide Style (Incl. #21)	
51	MH4MCP-16	Roller Cam/Head	
99	MH2MUB	Urethane Boot	
99	MH4M-S10	.010 Shims Pkg of 10	
99	MH4M-S3	.003 Shims Pkg of 10	
99	MH4M-S5	.005 Shims Pkg of 10	

DIMOCO MANUFACTURING COMPANY INC

To place an order call toll-free 800.524.3020 or fax 816.524.3454 or www.Dimoco.net

Amada – Pega – Original Style – Air



MH3MCO

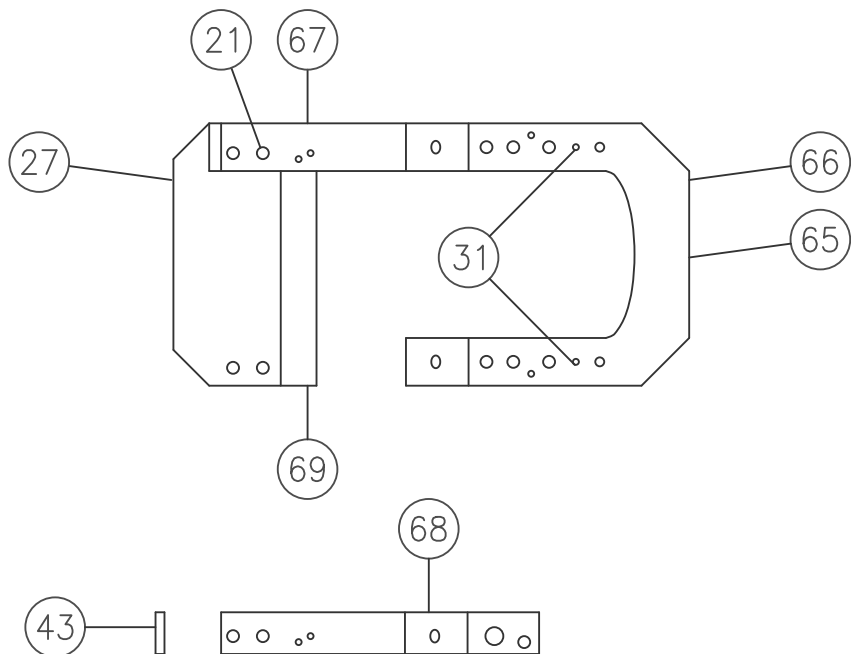
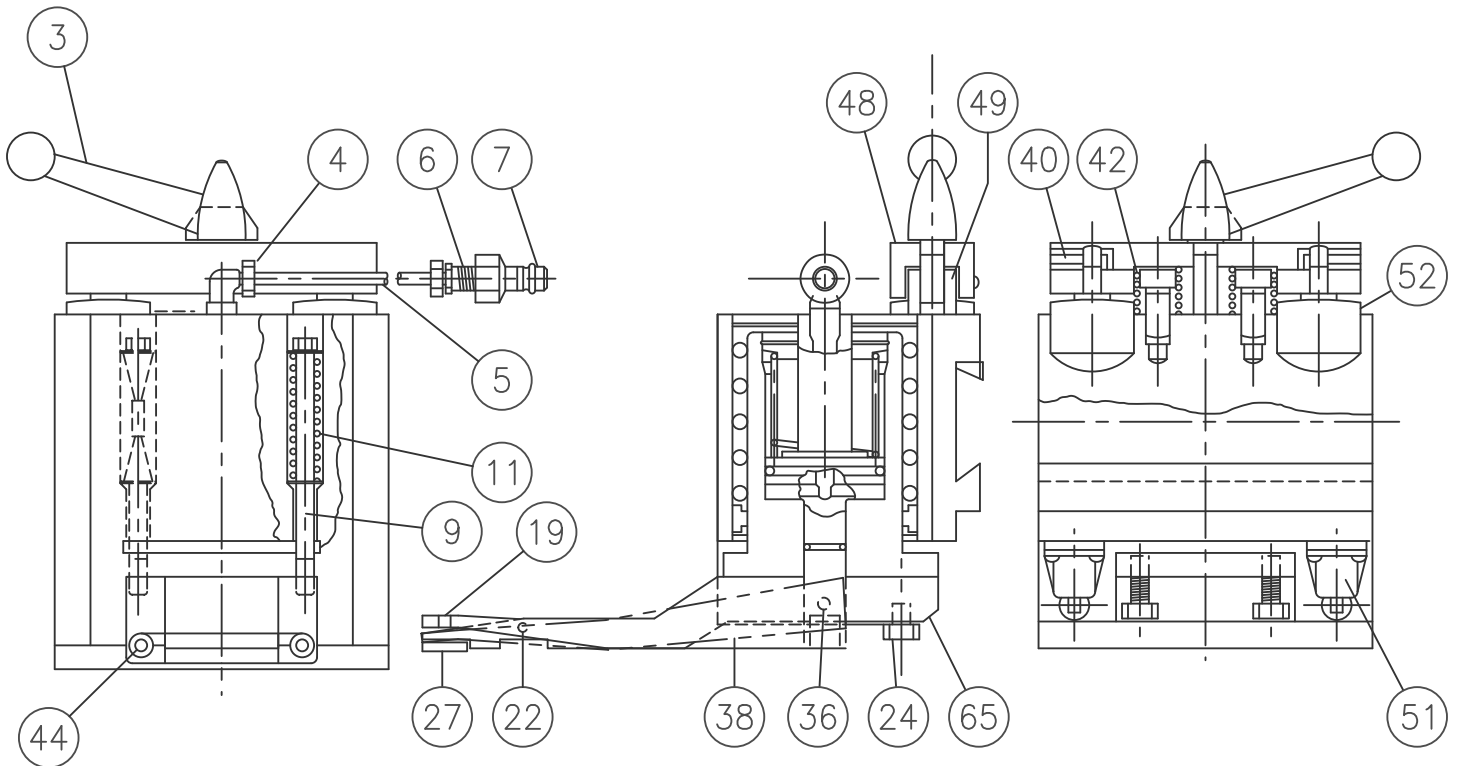
Component Parts – Original Style Air

Dwg No.	DMC Part No.	Description	Price
00	MH3MCO	Complete Assembly/Carbide Style	
00	MH3MCO-S	Complete Assembly/Screw Style	
00	MH3MJA	Clamp Ass'y/Carbide Style (Incl #38,43,45,65)	
00	MH3MJA-S	Clamp Ass'y/Screw Style (Incl #38,43,45,65)	
03	MH1MCP-18	Clamp Lever (Steel 10mm)	
04	MH6MCP-38	Hose Assembly	
04	MH6MCP-38A	Elbow	
05	MH6MCP-38B	Flexible Tubing	
06	MH6MCP-38C	Mail Nipple	
07	MH6MCP-38D	Coupler Assembly	
07	MH6MCP-38E	No Longer Sold	
14	MH3MCP-54	Bolt/Spring Assembly	
19	MHSSS05X05	Screw, SS Pkg of 10	
21	MH7ARP-21	Screw, FH Pkg of 10	
22	MH6MCP-27	Straight Pin	
27	MH3MCP-08	Dove-Tail Clamp	
28	MH2MCP-28	Bolt	
29	MH3MCP-04	Dove-Tail Spring	
30	MH2MCP-30	Bolt	
36	MH3MCP-36	Straight Pin/Set Screw	
38	MH3MUJ	Clamper/Carbide Style (Incl #19,36)	
38	MH3MUJ-S	Clamper/Screw Style (Incl #19,36)	
43	MH2MCP-32	Stopper Plate (Incl #44)	
44	MHSFS04X10	Screw, FH Pkg of 10	
45	MH3MLJ	Clamp Plate (Incl #21)	
45	MH3MLJ-C	Clamp Plate/Carbide Style (Incl #21)	
48	MHSCS04X20	Screw, SH Pkg of 10	
51	MH4MCP-16	Roller Cam/Head	
56	MH3MCP-56	Screw w/Set Screw	
65	MH3MPA	Clamp Base (Incl #22)	
99	MH2MUB	Urethane Boot	
99	MH4M-S10	.010 Shims Pkg of 10	
99	MH4M-S3	.003 Shims Pkg of 10	
99	MH4M-S5	.005 Shims Pkg of 10	

DIMOCO MANUFACTURING COMPANY INC

To place an order call toll-free 800.524.3020 or fax 816.524.3454 or www.Dimoco.net

Lila – Coma – Vela – Original Style
Thin Clamp – Thin Turret – Air



MH4MCO

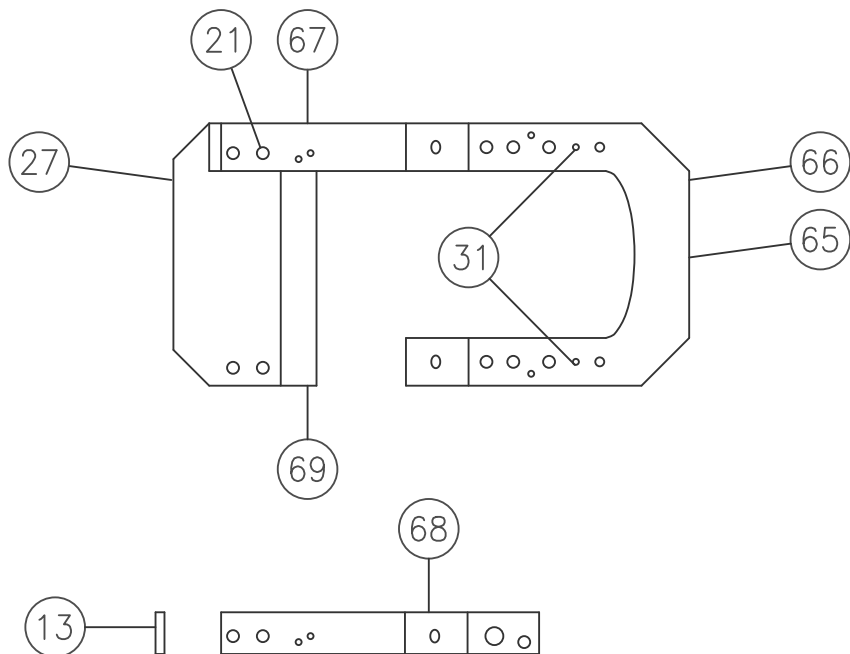
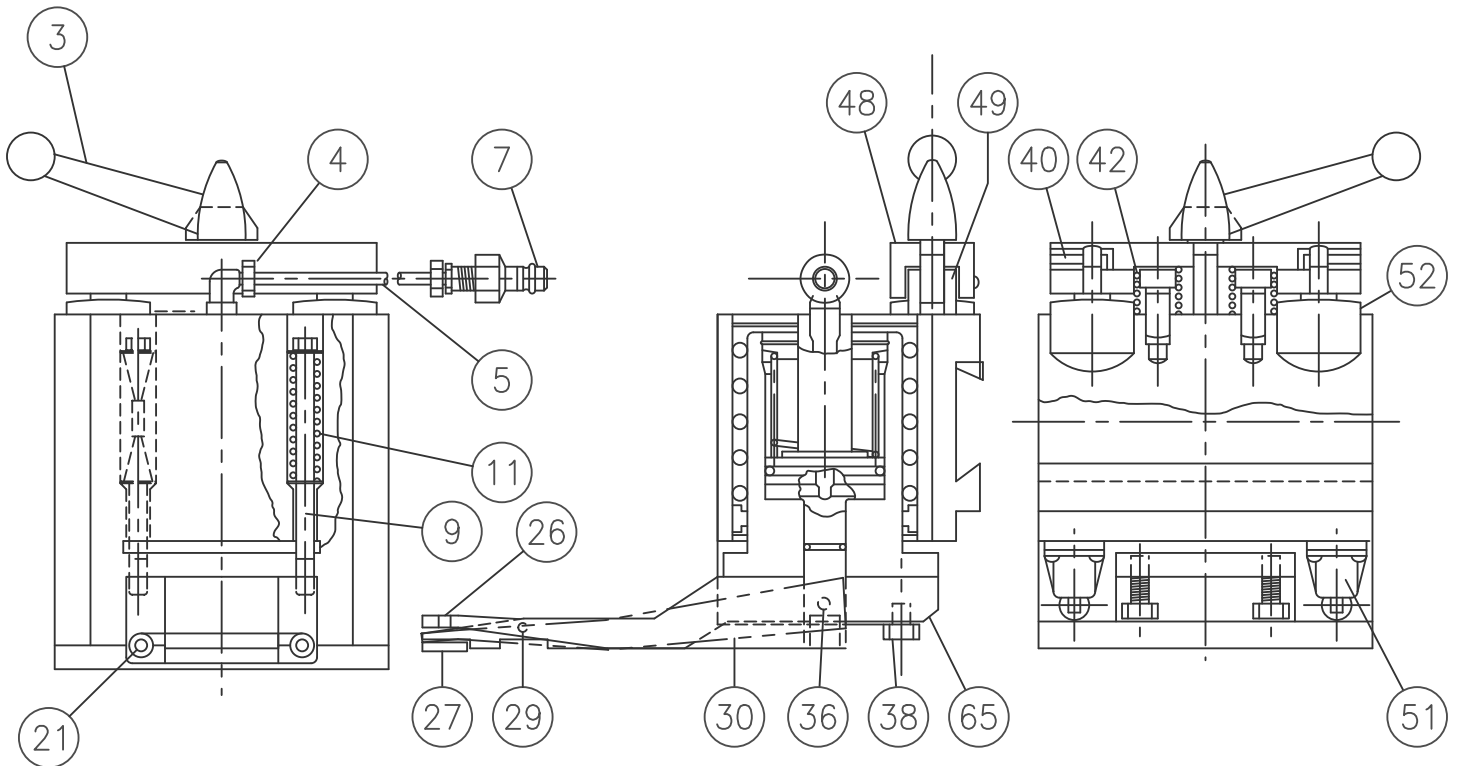
Component Parts – Thin Clamp Air

Dwg No.	DMC Part No.	Description	Price
00	MH4MCO	Complete Assembly/Carbide Style	
00	MH4MCO-S	Complete Assembly/Screw Style	
00	MH4MJA	Clamp Ass'y/Carbide Style (Incl. #27,38,65,43)	
00	MH4MJA-S	Clamp Ass'y/Screw Style (Incl. #27,38,65,43)	
03	MH4MCP-18M	Clamp Lever (Steel 12mm)	
04	MH6MCP-38	Hose Assembly	
04	MH6MCP-38A	Elbow	
05	MH6MCP-38B	Flexible Tubing	
06	MH6MCP-38C	Male Nipple	
07	MH6MCP-38D	Coupler Assembly	
07	MH6MCP-38E	No Longer Sold	
09	MH6MCP-23	Bolt AH 6x100	
11	MH6MCP-54	Clamp Base Spring	
19	MHSSS05X05	Screw, SS Pkg of 10	
21	MH7ARP-21	Screw, FH Pkg of 10	
22	MH6MCP-27	Straight Pin	
24	MH4MCP-34	Under Plate No Longer Available	
27	MH4MLJ	Clamp Plate (Incl. #21)	
27	MH4MLJ-C	Clamp Plate/Carbide Style (Incl. #21)	
31	MH6MCP-31	Straight Pin (Locator)	
36	MH6MCP-36	Straight Pin One Only	
38	MH4MUJ	Clamper/Carbide Style	
38	MH4MUJ-S	Clamper/Screw Style (Incl. #19)	
40	MH6MCP-03	Support Pad No Longer Available	
42	MH6MCP-04	Pressure Point Spring No Longer Available	
43	MH4MCP-32	Stopper Plate (Incl. #44)	
44	MHSFS04X10	Screw, FH Pkg of 10	
48	MH6MCP-01	Pressure Plate No Longer Available	
49	MH6MCP-02	Auxiliary Plate No Longer Available	
51	MH4MCP-16	Roller Cam/Head	
52	MH4MCP-08	Locking Rod	
65	MH4MPA	Clamp Base (Incl. #22,66,67,68,69)	
66	MH4MCP-46	Body only for Clamp Base	
67	MH4MCP-47	Leg, RH for Clamp Base	
68	MH4MCP-48	Leg, LH for Clamp Base	
69	MH6MCP-49	Connection Bar	
99	MH2MUB	Urethane Boot	
99	MH4M-S10	.010 Shims Pkg of 10	
99	MH4M-S3	.003 Shims Pkg of 10	
99	MH4M-S5	.005 Shims Pkg of 10	

DIMOCO MANUFACTURING COMPANY INC

To place an order call toll-free 800.524.3020 or fax 816.524.3454 or www.Dimoco.net

Coma – Original Style Thin Clamp – Hydraulic



MH5MCO

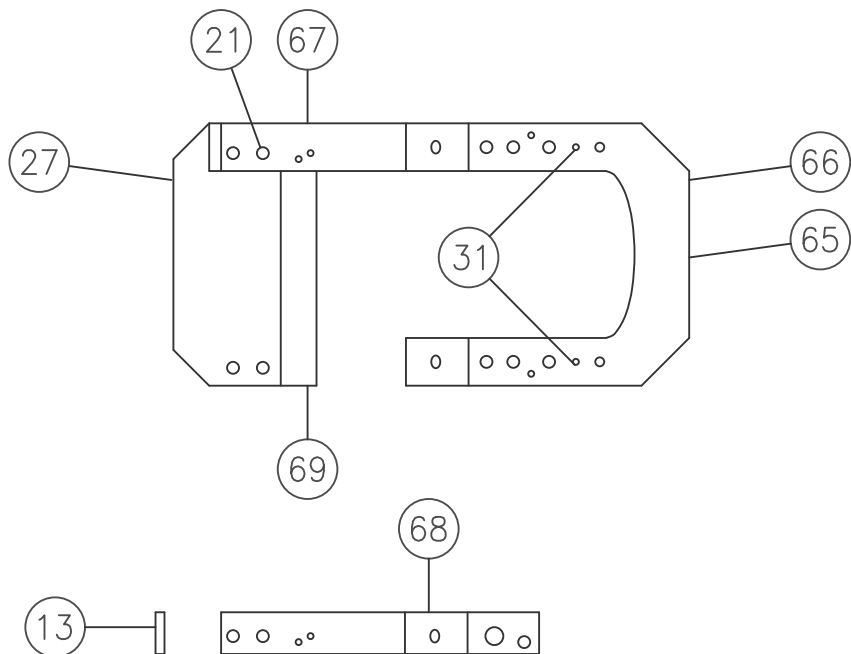
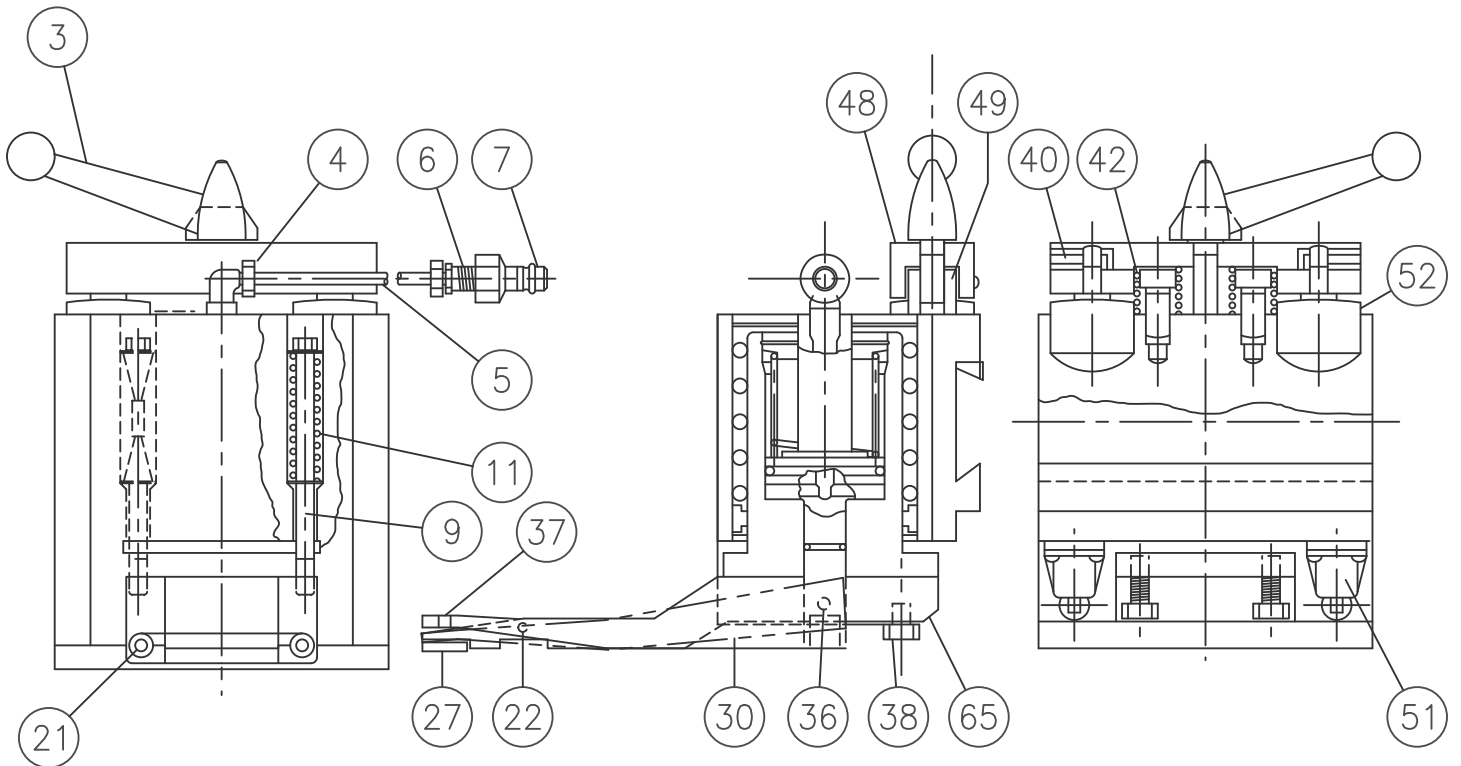
Component Parts – Original Style/Thin Hydraulic

Dwg No.	DMC Part No.	Description	Price
00	MH5MCO	Complete Assembly/Carbide Style	
00	MH5MCO-S	Complete Assembly/Screw Style	
00	MH5MJA	Clamp Ass'y/Carbide Style (Incl. #13,27,30,65)	
00	MH5MJA-S	Clamp Ass'y/Screw Style (Incl. #13,27,30,65)	
03	MH4MCP-18M	Clamp Lever (Steel 12mm)	
04	MH5MCP-38A	Elbow	
05	MH5MCP-38B	Hose, Hydraulic	
07	MH5MCP-38D	Coupler Assembly USA Style No Longer Available	
09	MH6MCP-23	Bolt AH 6x100	
11	MH6MCP-54	Clamp Base Spring	
13	MH5MCP-32	Stopper Plate (Incl. #21)	
21	MH7ARP-21	Screw, FH Pkg of 10	
26	MHSSS05X06	Screw SS Pkg of 10	
27	MH4MLJ	Clamp Plate (Incl. #21)	
27	MH4MLJ-C	Clamp Plate/Carbide Style (Incl. #21)	
29	MH5MCP-27	Straight Pin	
30	MH5MUJ	Clamper/Carbide Style	
30	MH5MUJ-S	Clamper/Screw Style (Incl. #26)	
31	MH6MCP-31	Straight Pin (Locator)	
36	MH5MCP-36	Straight Pin	
38	MH5MCP-34	Under Plate No Longer Available	
40	MH6MCP-03	Support Pad No Longer Available	
42	MH6MCP-04	Pressure Point Spring No Longer Available	
48	MH6MCP-01	Pressure Plate No Longer Available	
49	MH6MCP-02	Auxiliary Plate No Longer Available	
51	MH4MCP-16	Roller Cam/Head	
52	MH4MCP-08	Locking Rod	
65	MH5MPA	Clamp Base/Assembly Unit (Incl. #29,66,67,68,69)	
65	MH5MPH	Clamp Base/Heavy/One Piece	
66	MH5MCP-46	Body only for Clamp Base	
67	MH5MCP-47	Leg, RH for Clamp Base	
68	MH5MCP-48	Leg, LH for Clamp Base	
69	MH6MCP-49	Connection Bar	
99	MH5M-S10	.010 Shims Pkg of 10	
99	MH5M-S3	.003 Shims Pkg of 10	
99	MH5M-S5	.005 Shims Pkg of 10	
99	MH5MUB	Urethane Boot	

DIMOCO MANUFACTURING COMPANY INC

To place an order call toll-free 800.524.3020 or fax 816.524.3454 or www.Dimoco.net

Vela - Coma - Original Style
Thick Clamp - Thick Turret - Air



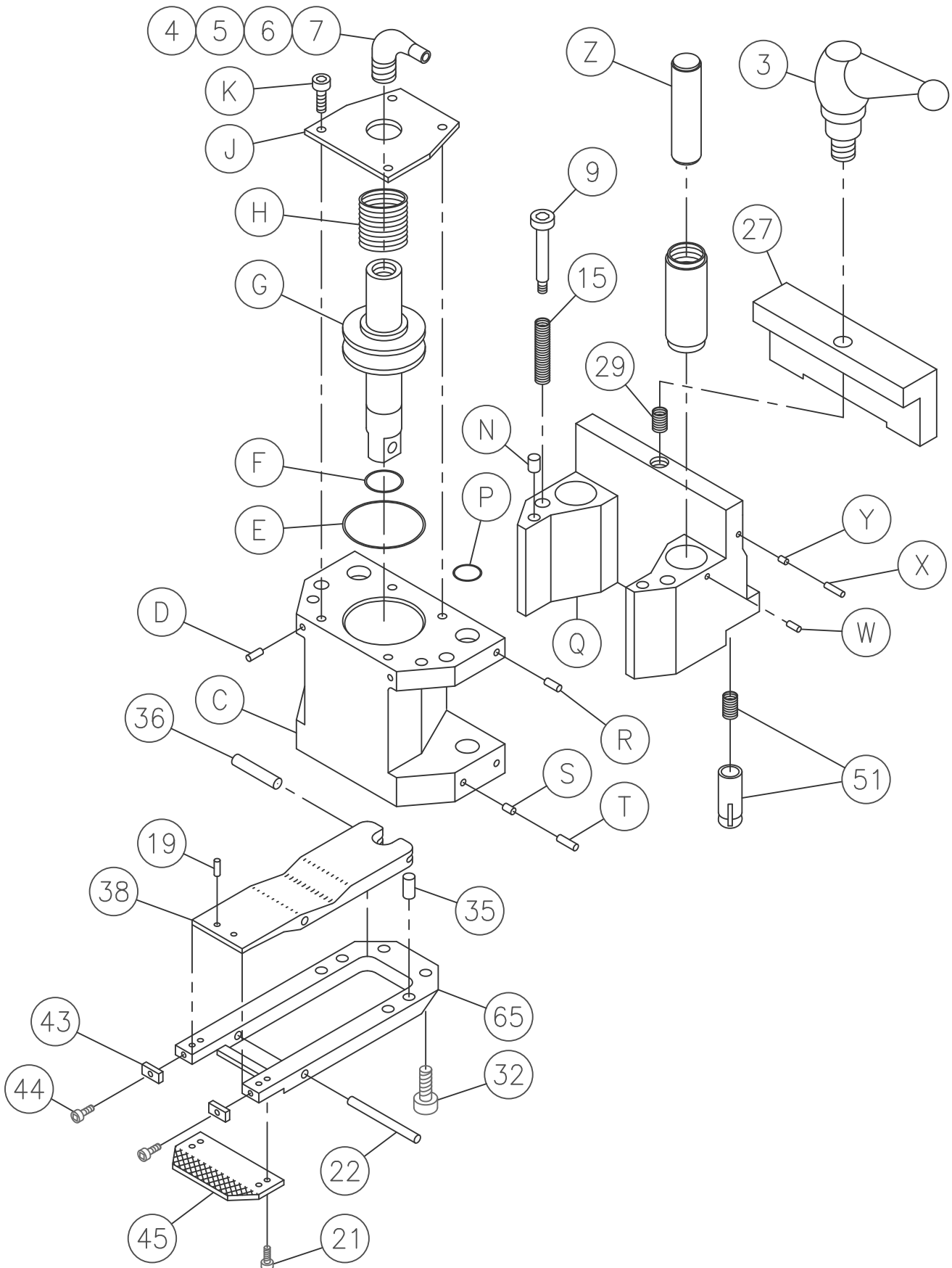
MH6MCO
Component Parts – Original Style Thick Clamp Air

Dwg No.	DMC Part No.	Description	Price
00	MH6MCO	Complete Assembly/Carbide Style	
00	MH6MCO-S	Complete Assembly/Screw Style	
00	MH6MJA	Clamp Ass'y/Carbide Style (Incl. #13,27,30,65)	
00	MH6MJA-S	Clamp Ass'y/Screw Style (Incl. #13,27,30,65)	
03	MH4MCP-18M	Clamp Lever (Steel 12 mm)	
04	MH6MCP-38	Hose Assembly	
04	MH6MCP-38A	Elbow	
05	MH6MCP-38B	Flexible Tubing	
06	MH6MCP-38C	Male Nipple	
07	MH6MCP-38D	Coupler Assembly	
07	MH6MCP-38E	No Longer Sold	
09	MH6MCP-23	Bolt AH 6x100	
11	MH6MCP-54	Clamp Base Spring	
13	MH5MCP-32	Stopper Plate (Incl. #21)	
21	MH7ARP-21	Screw, FH Pkg of 10	
22	MH6MCP-27	Straight Pin	
27	MH4MLJ	Clamp Plate (Incl. #21)	
27	MH4MLJ-C	Clamp Plate/Carbide Style (Incl. #21)	
30	MH6MUJ	Clamper/Carbide Style	
30	MH6MUJ-S	Clamper/Screw Style	
30	MH6MUJ-3/8	Clamper/Carbide Style – 1/8-3/8	
31	MH6MCP-31	Straight Pin (Locator) One Only	
36	MH6MCP-36	Straight Pin	
37	MHSSS05X06	Screw, SS Pkg of 10	
38	MH6MCP-34	Under Plate	No Longer Available
40	MH6MCP-03	Support Pad	No Longer Available
42	MH6MCP-04	Pressure Point Spring	No Longer Available
48	MH6MCP-01	Pressure Plate	No Longer Available
49	MH6MCP-02	Auxiliary Plate	No Longer Available
51	MH4MCP-16	Roller Cam/Head	
52	MH6MCP-08	Locking Bar	
65	MH6MPA	Clamp Base (Incl. #22,66,67,68,69)	
65	MH6MPH	Clamp Base/Heavy/One Piece	
66	MH5MCP-46	Body only for Clamp Base	
67	MH5MCP-47	Leg, RH for Clamp Base	
68	MH5MCP-48	Leg, LH for Clamp Base	
69	MH6MCP-49	Connection Bar	
99	MH5M-S10	.010 Shims Pkg of 10	
99	MH5M-S3	.003 Shims Pkg of 10	
99	MH5M-S5	.005 Shims Pkg of 10	
99	MH5MUB	Urethane Boots	

DIMOCO MANUFACTURING COMPANY INC

To place an order call toll-free 800.524.3020 or fax 816.524.3454 or www.Dimoco.net

Octo – Air



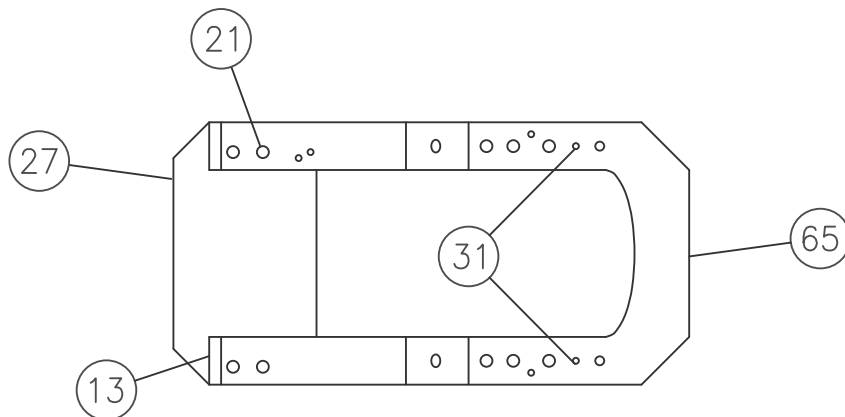
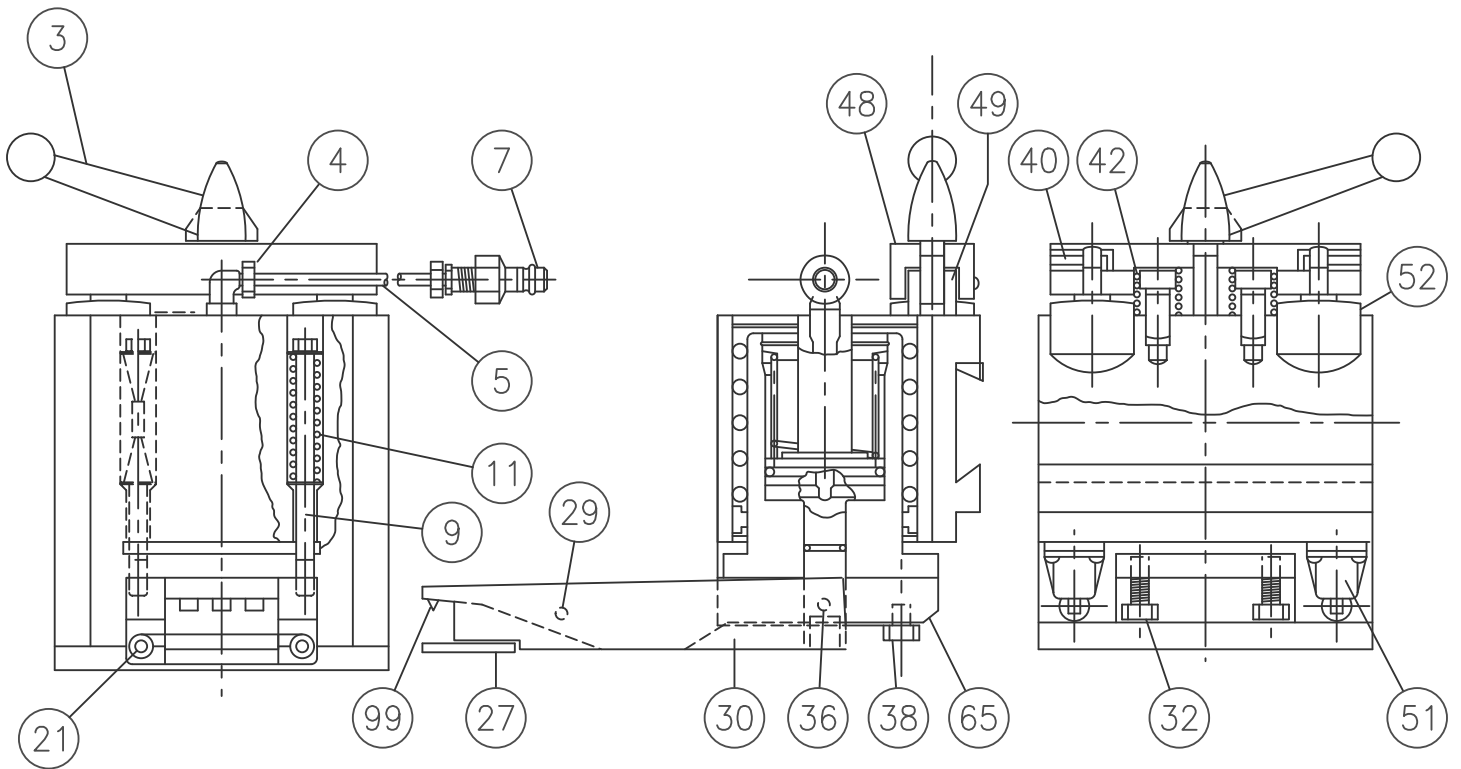
MH7MCO Component Parts – Octo Air

Dwg No.	DMC Part No.	Description	Price
00	MH7MCO	Complete Assembly/Carbide Style	
00	MH7MCO-S	Complete Assembly/Screw Style	
00	MH7MJA	Clamp Ass'y/Carbide Style (Incl. #38,43,45,65)	
00	MH7MJA-S	Clamp Ass'ly/Screw Style (Incl. #38,43,45,65)	
00	MH7MJA-3/8	Clamp Assembly 1/8-3/8 (Incl. 38,43,45,65)	
03	MH1MCP-18	Clamp Lever (Steel 10mm)	
04	MH6MCP-38A	Elbow	
05	MH6MCP-38B	Flexible Tubing	
06	MH6MCP-38C	Male Nipple	
07	MH6MCP-38D	Coupler Assembly	
07	MH6MCP-38E	No Longer Sold	
09	MH7MCP-23	Bolt AH 6x90	
15	MH7MCP-54	Clamp Base Spring	
19	MHSSS05X05	Screw, SS Pkg of 10	
21	MH7ARP-21	Screw, FH Pkg of 10	
22	MH6MCP-27	Straight Pin	
27	MH7MCP-08	Dove-Tail Clamp	
29	MH7MCP-04	Dove-Tail Spring	
35	MH2MCP-31S	Pin Stepped (8mm to 10mm)	
35	MH7MCP-31	Locator Pin	
36	MH3MCP-36	Straight Pin/Set Screw	
38	MH7MUJ	Clamper/Carbide Style (Incl. #36)	
38	MH7MUJ-S	Clamper/Screw Style (Incl. #19,36)	
43	MH2MCP-32	Stopper Plate (Incl. #44)	
44	MHSFS04X10	Screw, FH Pkg of 10	
45	MH3MLJ	Clamp Plate (Incl. #21)	
45	MH3MLJ-C	Clamp Plate/Carbide Style (Incl. #21)	
51	MH7MCP-16	Roller Cam/Head	
65	MH7MPA	Clamp Base (Incl. #22)	
65	MH7MPA-3/8	Clamp Base 1/8"-3/8" (Incl. #22)	
99	MH2MUB	Urethane Boot	
99	MH4M-S10	.010 Shims Pkg of 10	
99	MH4M-S3	.003 Shims Pkg of 10	
99	MH4M-S5	.005 Shims Pkg of 10	

DIMOCO MANUFACTURING COMPANY INC

To place an order call toll-free 800.524.3020 or fax 816.524.3454 or www.Dimoco.net

Coma – Original Style
Thick Clamp – Hydraulic



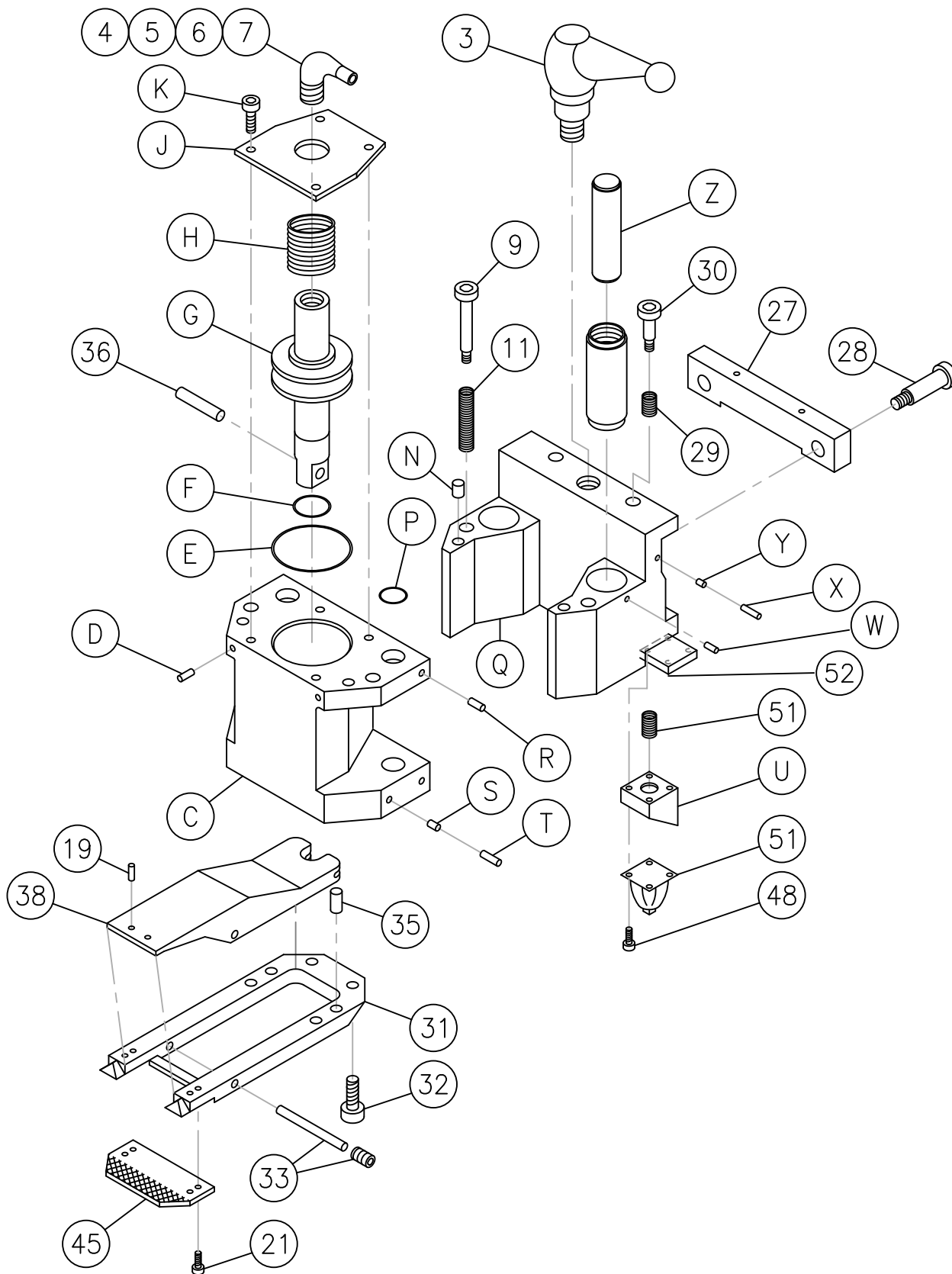
MH8MCO
Component Parts – Original Style Thick Hydraulic

Dwg No.	DMC Part No.	Description	Price
00	MH8MCO	Complete Ass'y/Carbide Style/Heavy 0-1/2	
00	MH8MJA	Clamp Ass'y/Carbide Style/Heavy (Incl. #13,27,30,65)	
03	MH8MCP-18M	Clamp Lever (Steel 14mm)	
03	MHHHS14X30	Hex Head Screw-only	
04	MH5MCP-38A	Elbow	
05	MH5MCP-38B	Hose, Hydraulic	
07	MH5MCP-38D	Coupler Assembly USA Style - No Longer Available	
09	MH6MCP-23	Bolt AH 6x100	
11	MH6MCP-54	Clamp Base Spring	
13	MH8MCP-32	Stopper Plate/Heavy (Incl. #21)	
21	MHSFS06X16	Screw, FH Pkg of10	
27	MH8MLJ	Clamp Plate/Heavy (Incl. #21)	
29	MH8MCP-27	Straight Pin	
30	MH8MUJ	Clamper 1/4-1/2	
31	MH6MCP-31	Straight Pin (Locator)	
36	MH8MCP-36	Straight Pin	
38	MH5MCP-34	Under Plate	No Longer Available
40	MH6MCP-03	Support Pad	No Longer Available
42	MH6MCP-04	Pressure Point Spring	No Longer Available
48	MH8MCP-01	Pressure Plate	No Longer Available
49	MH8MCP-02	Auxiliary Plate	No Longer Available
51	MH4MCP-16	Roller Cam/Head	
52	MH4MCP-08	Locking Rod	
65	MH8MPA	Clamp Base 1/4-1/2 (Incl. #29)	

DIMOCO MANUFACTURING COMPANY INC

To place an order call toll-free 800.524.3020 or fax 816.524.3454 or www.Dimoco.net

Laser Clamp –Apelio – Air Stealth

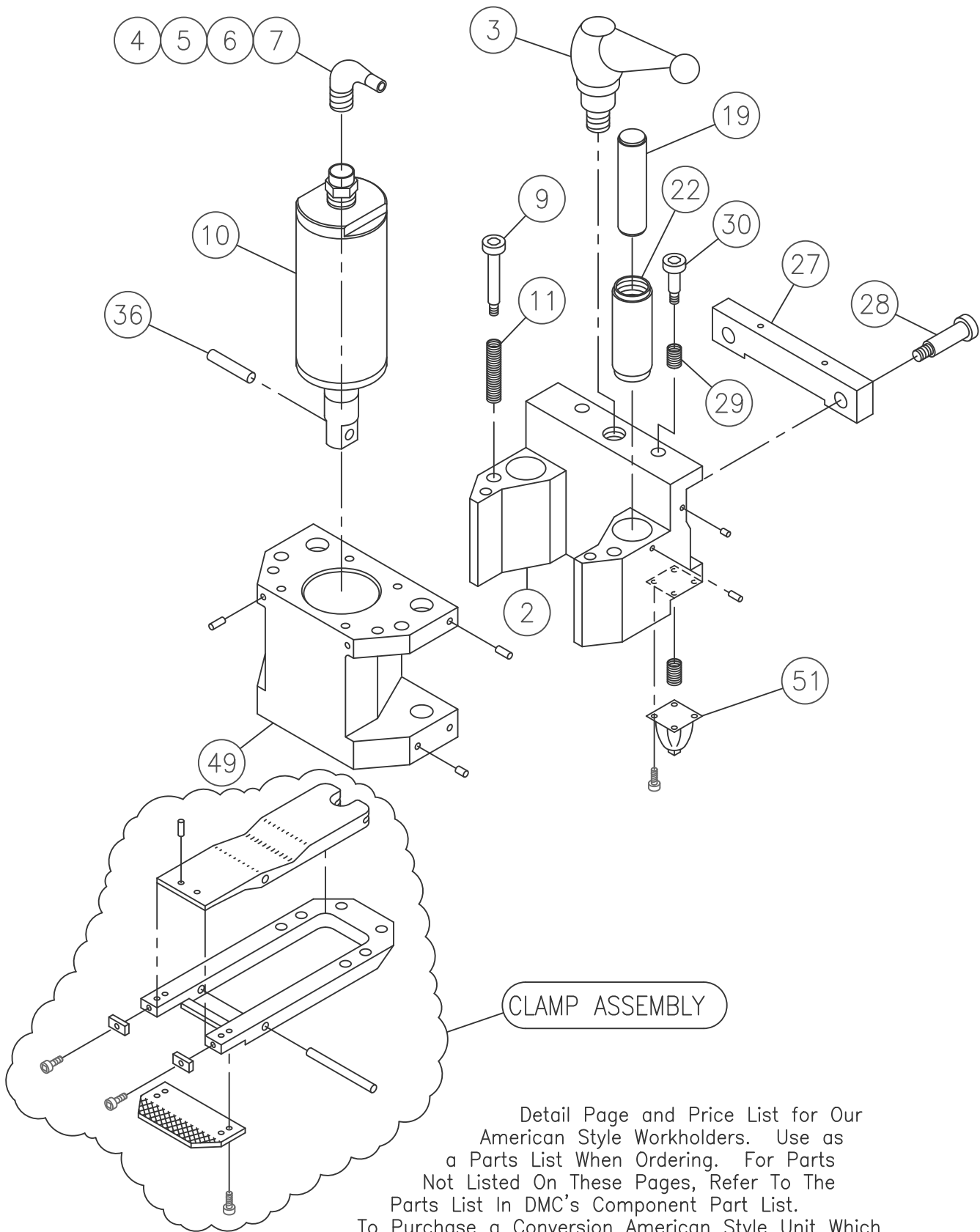


MH12MCO
Component Parts
Laser Clamp – Apelio - Air Stealth

Dwg No.	DMC Part No.	Description	Price
00	MH12MCO	Complete Assembly/Carbide Style	
00	MH12MCO-S	Complete Assembly/Screw Style	
00	MH12MJA	Clamp Ass'y/Carbide Style (Incl. #31,38,33,45)	
00	MH12MJA-S	Clamp Ass'y/Screw Style (Incl. #31,38,33,45)	
00	MH12MCP-CNE	Electronic Coupler Assembly	
03	MH1MCP-18	Clamp Lever(Steel 10mm)	
04	MH6MCP-38	Hose Assembly	
04	MH6MCP-38A	Elbow	
05	MH6MCP-38B	Flexible Tubing	
06	MH6MCP-38C	Male Nipple	
07	MH6MCP-38D	Coupler Assembly(Complete)	
07	MH6MCP-38E	No Longer Sold	
09	MH6MCP-23	Bolt AH 6x100	
11	MH6MCP-54	Clamp Base Spring	
19	MHSS05X05	Screw, SS Pkg of 10	
21	MH7ARP-21	Screw, FH Pkg of 10	
27	MH3MCP-08	Dove-Tail Clamp	
28	MH2MCP-28	Bolt	
29	MH3MCP-04	Dove-Tail Spring	
30	MH2MCP-30	Bolt	
31	MH12MPA	Clamp Base (Incl. #33)	
32	MHSCS08X20	Screw, AH Pkg of 10	
33	MH2MCP-27	Straight Pin & Set Screw	
35	MH2MCP-31	Straight Pin	
36	MH6MCP-36	Straight Pin	
38	MH12MUJ	Clamper/Carbide Style	
38	MH12MUJ-S	Clamper/Screw Style (Incl. #19)	
45	MH12MLJ	Clamp Plate (Incl. #21)	
45	MH12MLJ-C	Clamp Plate/Carbide Style (Incl. #21)	
51	MH4MCP-16	Roller Cam/Head	
52	MH12MCP-52	Roller Cam Insulator	
99	MH2MUB	Urethane Boot	
99	MH4M-S10	.010 Shims Pkg of 10	
99	MH4M-S3	.003 Shims Pkg of 10	
99	MH4M-S5	.005 Shims Pkg of 10	

DIMOCO MANUFACTURING COMPANY INC
 To place an order call toll-free 800.524.3020 or fax 816.524.3454 or www.Dimoco.net

American Style – All Models – Air – Hydraulic



Detail Page and Price List for Our American Style Workholders. Use as a Parts List When Ordering. For Parts Not Listed On These Pages, Refer To The Parts List In DMC's Component Part List.

To Purchase a Conversion American Style Unit Which Consists of All Parts Less Clamp Assembly Add A -CV To Any Part Number MH__CO-CV and Deduct \$260.00 From Cost.

AMERICAN STYLE

Component Parts — All Models — Air/Hydraulic

Dwg No.	DMC Part No.	Description	Price
00	MH1MCO -S	Complete Ass'y/(Screw Style)	
00	MH2MCO -S	Complete Ass'y/(Screw Style)	
00	MH3MCO -S	Complete Ass'y/(Screw Style)	
00	MH4MCO -S	Complete Ass'y/(Screw Style)	
00	MH5MCO -S	Complete Ass'y/(Screw Style)	
00	MH6MCO -S	Complete Ass'y/(Screw Style)	
00	MH7MCO -S	Complete Ass'y/(Screw Style)	
00	MH8MCO	Complete Assembly/Carbide Style/Heavy 0-1/2	
02	MH5MCP-19	Hydraulic Clamp Housing	
02	MH6MCP-19	Clamp Housing	
02	MH7MCP-19	Clamp Housing	
03	MH4MCP-18M	Clamp Lever (Steel 12mm)	
04	MH5MCP-38AM	El/American Style No Longer Available	
04	MH6MCP-38A	Elbow	
05	MH5MCP-38B	Hose, Hydraulic	
05	MH5MCP-38BS	Hose, Hydraulic-Short No Longer Available	
05	MH6MCP-38B	Flexible Tubing	
06	MH6MCP-38C	Male Nipple	
09	MH6MCP-23	Bolt AH 6x100	
10	MH2MCP-29	Air Cylinder	
10	MH5MCP-29	Hydraulic Cylinder	
10	MH6MCP-29	Air Cylinder	
10	MH7MCP-29	Air Cylinder	
10	MH8MCP-29	Hydraulic Cylinder	
11	MH6MCP-54	Clamp Base Spring	
19	MH7MCP-SH	Shaft	
22	MH7MCP-FB	Bearing/2 required per side No Longer Available	
22	MH7MCB	Bearing 1 piece	
27	MH3MCP-08	Dove-Tail Clamp	
27	MH5MCP-08	Dove-Tail Clamp/Hydraulic	
27	MH7MCP-08	Dove-Tail Clamp	
28	MH2MCP-28	Bolt	
29	MH3MCP-04	Dove-Tail Spring	
30	MH2MCP-30	Bolt	
49	MH1MCP-22	Cylinder Housing	
49	MH2MCP-22	Cylinder Housing	
49	MH3MCP-22	Cylinder Housing	
49	MH6MCP-22	Cylinder Housing	
49	MH7MCP-22	Cylinder Housing	
51	MH4MCP-16	Roller Cam/Head	
51	MH7MCP-16	Roller Cam/Head	

DIMOCO MANUFACTURING COMPANY INC

To place an order call toll-free 800.524.3020 or fax 816.524.3454 or www.Dimoco.net