

Dimoco Manufacturing Company Inc

Wiedemann ® Catalog

Murata ® Catalog

- A15 , S25 OS # 416 & before -----▼
- **MH2ACO** DMC REPLACEMENT Page
- A15 , S25 NS # 417 & after -----▼
- **MH3ACO** DMC REPLACEMENT Page
- S40 , A30 , W20 , W30 , W45 NS -----▼
- **MH5ACO** DMC REPLACEMENT Page
- S40 , A30 , W20 - W30 - W45 Twin ---▼
- **MH5ADO** DMC REPLACEMENT Page
- S40 , A30 , W20 - W30 - W45 Heavy -▼
- **MH5HCO** DMC REPLACEMENT Page
- A30 - 50 , S-40 , W-20 - 45 Stubby ---▼
- **MH6ACO** DMC REPLACEMENT Page
- Centrum 1000 thru 3000 , S-7000 ---▼
- **MH7ACO** DMC REPLACEMENT Page
- Double Track Unit for C1000 , C2000 , C3000 & S7000 -----▼
- **MH7ACO-T** REPLACEMENT Page
- 1 pcs Slide C1000 thru S7000 & T --▼
- **MH7ARP & -T** REPLACEMENT Page
- Vectrum , Magnum 5000 Air / Hyd --▼
- **MH10ACO** REPLACEMENT Page
- Vectrum , Mortorum NS -----▼
- **MH11ACO** REPLACEMENT Page

Also Replacement Workholder Parts for:

- **Amada** ®
- **Di-Acro** ®
- **LVD / Strippit** ®
- **FinnPower** ®
- **Nisshinbo** ®

• All major credit cards
• Accepted

• Prices subject to change
• without notice

• Hours: Monday thru
• Thursday 8 am to 4:30 pm
• CST.

Email **Order@Dimoco.net** Call 800/888.524.3020 or

Fax 816.524.3454 for parts not on **Dimoco.net**



Dear Valued Customer:

Dimoco Manufacturing Company was founded in 1968 with the sole purpose of providing you with another source of obtaining both quality and reasonably priced replacement parts for your equipment. Since that time we have been committed to serving our growing customer base with high quality, low-cost replacement workholder clamps and clamp part accessories for the Amada, Wiedemann, Strippit, Finn-Power, DiAcro and Behrens NC Punch Presses.

All of our parts are manufactured in our plant, which is located in the heart of the Midwest. Because we do make and stock all of our parts, we are able to ship your orders usually the same day it is received. As always, the customer's needs dictate our inventories. This is the very reason that we are constantly expanding our product lines and improving our product. If you are not able to locate an item in our catalog, do not hesitate to inquire of the availability.

With these parts we offer you a way to prolong the life of your equipment, without having to pay such high prices for replacement parts. Proper maintenance coupled with correct timing is a combination needed to secure longevity of your equipment.

To speak to our friendly sales and customer service staff, call TOLL-FREE 800.524.3020. Also you may visit us at: www.Dimoco.net.

TERMS & CONDITIONS

CREDIT TERMS

1. We accept Credit Cards , Mastercard , Visa , Amx , and Also Paypal
2. We can also send a Paypal Invoice for advance payment to avoid COD charges
3. Paypal Invoices do require your Email or we can also ship COD

ORDERS FROM CATALOG

All orders or information needed from our catalogs (parts not listed in our store on WWW.Dimoco.net) , can be placed by Email to Order@Dimoco.net or by Phone 800/888.524.3020 and also can be faxed to 816.524.3454 .

DMC HOURS

Phone availability Monday thru Wednesday 8:00 to 2:30 pm Central Time , Email return hours , fax return hours , shipping hours on orders are Monday thru Wednesday , any rush orders must be ordered 24 hours prior to shipment .

RETURN POLICY

We accept unused parts for return within 30 days . We do not credit back freight charges . All parts returned for credit must be returned freight prepaid . Parts must be in a resellable condition and free from dents and damage to the black oxide . **Return parts to: DIMOCO MFG Attn Returns , 10 Southwest Industrial Drive, Lee's Summit, MO 64081.**

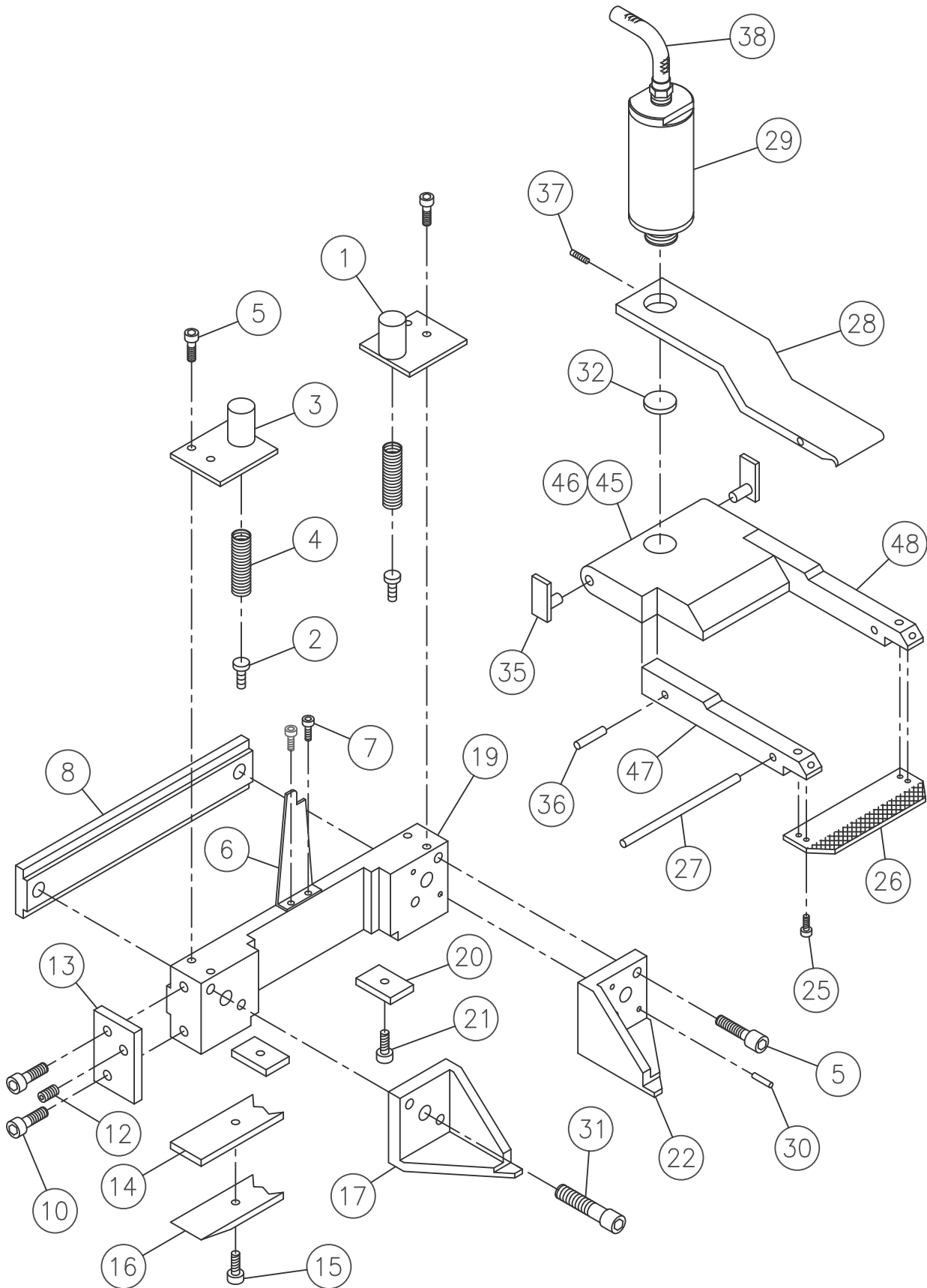
PRICES

Prices are subject to change without advance notification. All shipments will be invoiced at prices prevailing on the date of shipment or at prices quoted less then 30 days prior to shipment .

GUARANTEE

We guarantee all of our products against defects in material and workmanship under normal use and service. Any defect in material or workmanship will be corrected by repair or replacement of product FOB our plant.

MH2ACO – COMPONENT PARTS (S-25 OS S/N 416 Or Before) A-15 OS



MH2ACO

DMC REPLACEMENT Component Parts

WIEDEMANN Models A15 , S25 OS (S/N 416 or before)

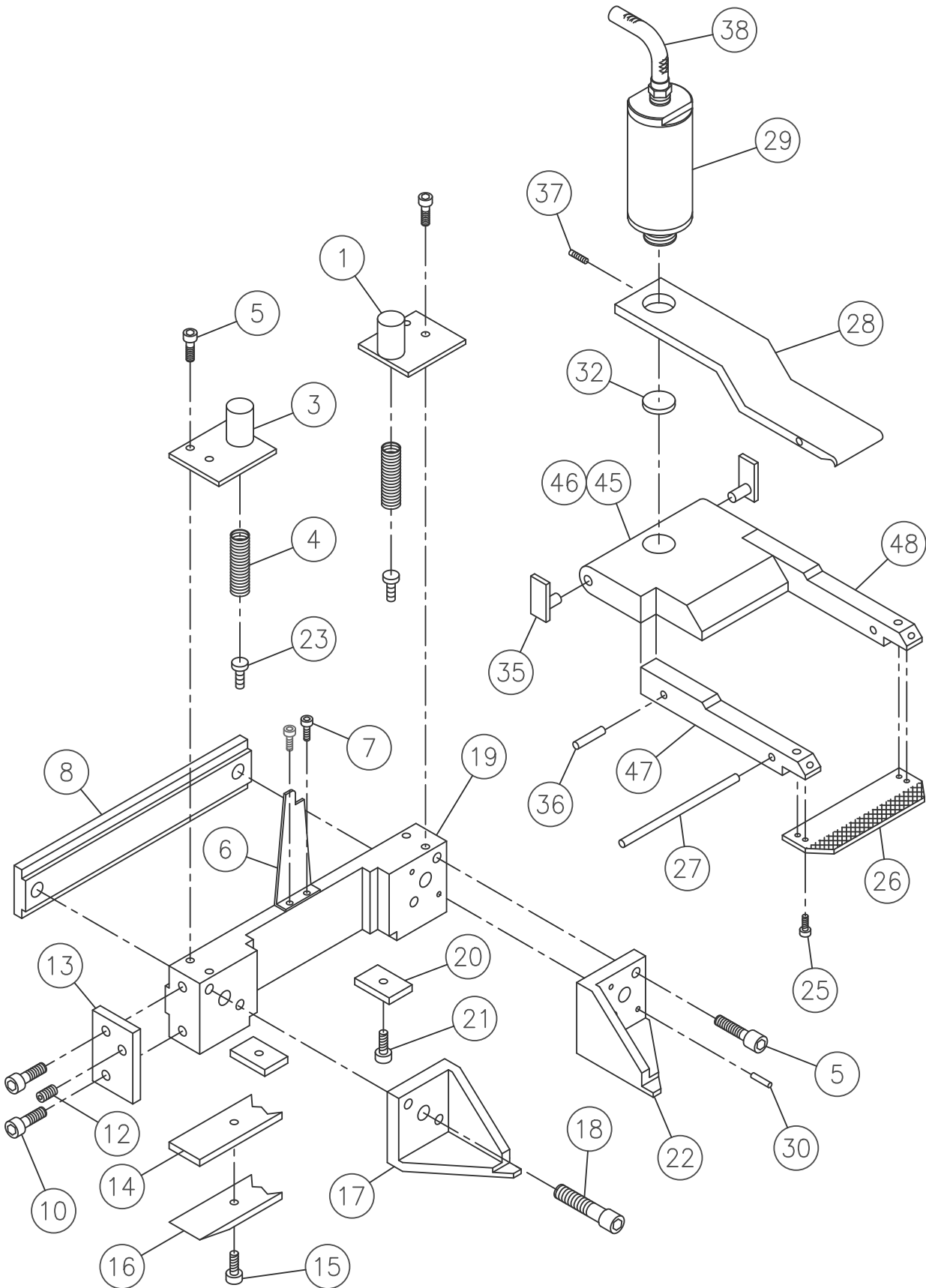
Dwg No.	DMC Part No.	Description	Price
00	MH2ACO	Complete Assembly	
00	MH2RJA	Replaceable Jaw Pack (Incl. #26,27,28,32,45)	
01	MH3ACP-01	Retainer	
02	MH2ACP-05	Guide Pin	
03	MH3ACP-03	Retainer	
04	MH5ACP-04	Spring	
05	MHSCS0616	Screw CS, Pkg of 10	
06	MH2ACP-06	Pointer	No Longer Available
07	MHSCS0508	Screw CS, Pkg. of 10	
08	MH2ACP-08	T-Bar	
10	MHSCS0816	Screw CS, Pkg. of 10	
11	MH2ACP-11	Jam Nut Pkg. of 10	
12	MHSSS0816	Screw SS, Pkg. of 10	
13	MH2ACP-13	Side Plate	No Longer Available
14	MH2ACP-14	Spacer	No Longer Available
14	MH2ACP-14A	Spacer	No Longer Available
14	MH2ACP-14B	Spacer	No Longer Available
15	MH2ACP-15	Screw BH, Pkg. of 10	
16	MH2ACP-40	Cam	No Longer Available
16	MH2ACP-41	Cam	No Longer Available
17	MH2ACP-17	Guide, RH	
19	MH2ACP-19	Slide	
20	MH3ACP-20	Bottom Plate	
21	MHSFS0612	Screw FH, Pkg of 10	
22	MH2ACP-22	Guide, LH	
25	MHSFS0512	Screw FH, Pkg of 10	
26	MH2ALJ	Lower Jaw/Knurl (Incl. Screws)	
26	MH2CLJ	Lower Jaw/Carbide Style (Incl. Screws)	
27	MH2ACP-27	Dowel	
28	MH2AUJ	Upper Jaw (Incl. Pin)	
29	MH3ACP-29	Air Cylinder	
31	MHSCS1056	Screw AH, Pkg of 10	
32	MH3ACP-32	Disc	No Longer Available
35	MH3ACP-35	Pin	
36	MH3ACP-36	Roll Pin, Pkg. of 10	
37	MHSSS0508	Screw SS, Pkg. of 10	
38	MH3ACP-38	Air Hose	
45	MH2APA	Pivot Arm	
45	MH2RPA	Pivot Arm	
46	MH2RCP-46	Body	
47	MH2RCP-47	Leg, RH	
48	MH2RCP-48	Leg, LH	

DIMOCO MANUFACTURING COMPANY INC

To place an order call toll-free 800.524.3020 or fax 816.524.3454 or www.Dimoco.net

MH3ACO – COMPONENT PARTS

A-15 NS, S-25 NS (S/N 417 Or After)

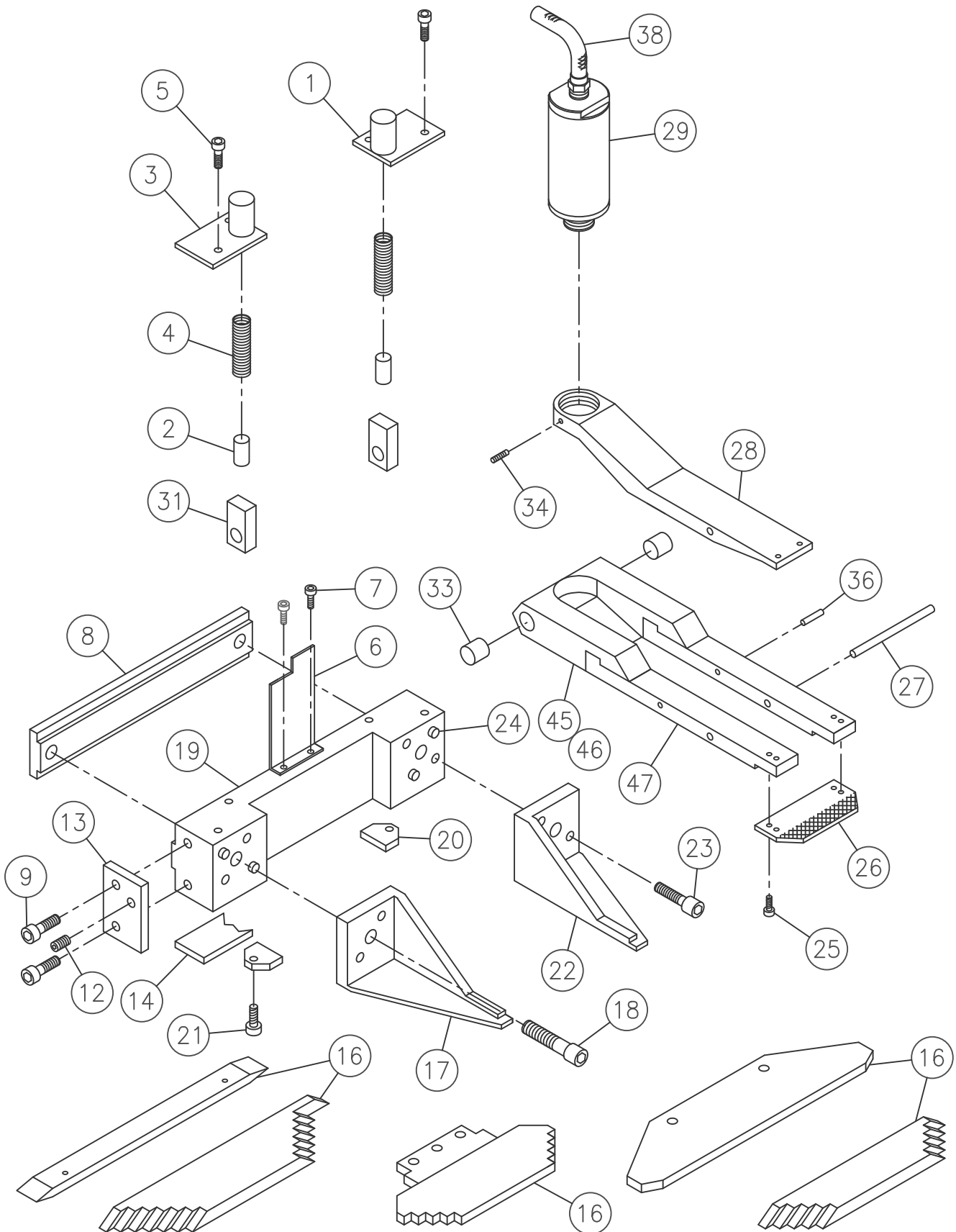


MH3ACO
DMC REPLACEMENT Component Parts
WIEDEMANN Models A15 , S25 NS (S/N 417 and after)

Dwg No.	DMC Part No.	Description	Price
00	MH3ACO	Complete Assembly	
00	MH3RJA	Replaceable Jaw Pack (Incl. #26,27,28,32,45)	
01	MH3ACP-01	Retainer	
03	MH3ACP-03	Retainer	
04	MH5ACP-04	Spring	
05	MHSCS0616	Screw, CS Pkg of 10	
06	MH3ACP-06	Pointer	No Longer Available
07	MHSCS0508	Screw CS, Pkg. of 10	
08	MH3ACP-08	T-Bar	
10	MHSCS0516	Screw CS, Pkg. of 10	
11	MHHN05	Hex Nut Pkg. of 10	
12	MHSSS0516	Screw SS, Pkg. of 10	
13	MH3ACP-13	Side Plate	No Longer Available
14	MH3ACP-14	Cam Spacer	No Longer Available
14	MH3ACP-14A	Spacer	No Longer Available
15	MHSBS0620	Screw BH, Pkg. of 10	
16	MH3ACP-16	Cam	No Longer Available
17	MH3ACP-17	Guide, RH	
18	MHSCS0856	Cap Screw	
19	MH3ACP-19	Slide	
20	MH3ACP-20	Bottom Plate	
21	MHSFS0612	Screw, FH Pkg of 10	
22	MH3ACP-22	Guide, LH	
23	MH3ACP-05	Plunger	
25	MHSFS0512	Screw, FH Pkg of 10	
26	MH3ALJ	Lower Jaw/Knurl (Incl. Screws)	
26	MH3CLJ	Lower Jaw/Carbide Style (Incl. Screws)	
27	MH3ACP-27	Dowel	
28	MH3AUJ	Upper Jaw	
29	MH3ACP-29	Air Cylinder	
30	MH3ACP-24	Dowel	
32	MH3ACP-32	Disc	No Longer Available
35	MH3ACP-35	Pin	
36	MH3ACP-36	Roll Pin Pkg. of 10	
37	MHSSS0508	Screw SS, Pkg. of 10	
38	MH3ACP-38	Air Hose	
45	MH3APA	Pivot Arm	
45	MH3RPA	Replaceable Leg Pivot Arm	
46	MH3RCP-46	Body	
47	MH3RCP-47	Leg, RH	
48	MH3RCP-48	Leg, LH	

MH5AC0 – COMPONENT PARTS

S-40, A-30, W-20, W-30, W-45



MH5ACO

DMC REPLACEMENT Component Parts

WIEDEMANN Models S40 , A30 , W20 , W30 , W45

Dwg No.	DMC Part No.	Description	Price
00	MH5ACO	Complete Assembly	
00	MH5RJA	Jaw Pack/Wear Plate	
00	MH4RJA	Jaw Pack (Incl. #26,27,28,45)	
01	MH5ACP-01	Retainer	
02	MH5ACP-05	Dowel	
03	MH5ACP-03	Retainer	
04	MH5ACP-04	Spring	
05	MHSCS0616	Screw, CS Pkg of 10	
06	MH5ACP-06	Pointer No Longer Available	
08	MH5ACP-08	T-Bar	
09	MHSCS0820	Screw, CS Pkg of 10	
13	MH5ACP-13	Side Plate	
14	MH5ACP-14	Spacer No Longer Available	
16	MH5ACP-40	Cam with Steps No Longer Available	
16	MH5ACP-41	Cam Bevel Step No Longer Available	
16	MH5ACP-42	Cam Bevel Step No Longer Available	
16	MH5ACP-43	Cam Bevel Step No Longer Available	
17	MH5ACP-17	Guide, RH	
18	MHSCS1273	Screw CS	
19	MH5ACP-19	Slide	
20	MH5ACP-20	Bottom Plate	
21	MHSFS0816	Screw, FH Pkg of 10	
22	MH5ACP-22	Guide, LH	
23	MHSCS0832	Screw CS, Pkg of 10	
25	MHSFS0616	Screw, FH Pkg of 10	
26	MH4ALJ	Lower Jaw/Knurl (Incl. Screws)	
26	MH4CLJ	Lower Jaw/Carbide Style(Incl. Screws)	
27	MH5ACP-27	Dowel	
28	MH4AUJ	Upper Jaw (Incl. Pin)	
29	MH5ACP-29	Air Cylinder	
31	MH5ACP-34	Bushing	
33	MH5ACP-33	Pivot Pin	
34	MHSSS0608	Screw, SS Pkg of 10	
36	MH5ACP-36	Roll Pin, Pkg of 10	
38	MH5ACP-38	Air Hose	
45	MH4APA	Pivot Arm	
45	MH4RPA	Replaceable Pivot Arm	
45	MH5RPA	Replaceable Pivot Arm (Incl. #98)	
46	MH4RCP-46	Body for MH4RPA	
47	MH4RCP-47	Legs	
47	MH5RCP-47	Legs for Wear Plates	
98	MH5ACP-32	Wear Plates	

DIMOCO MANUFACTURING COMPANY INC

To place an order call toll-free 800.524.3020 or fax 816.524.3454 or www.Dimoco.net

MH5ADO (Doublewide Workholder)

DMC REPLACEMENT Component Parts

WIEDEMANN Models S40 - A30 - W20 - W30 - W45 - Twin

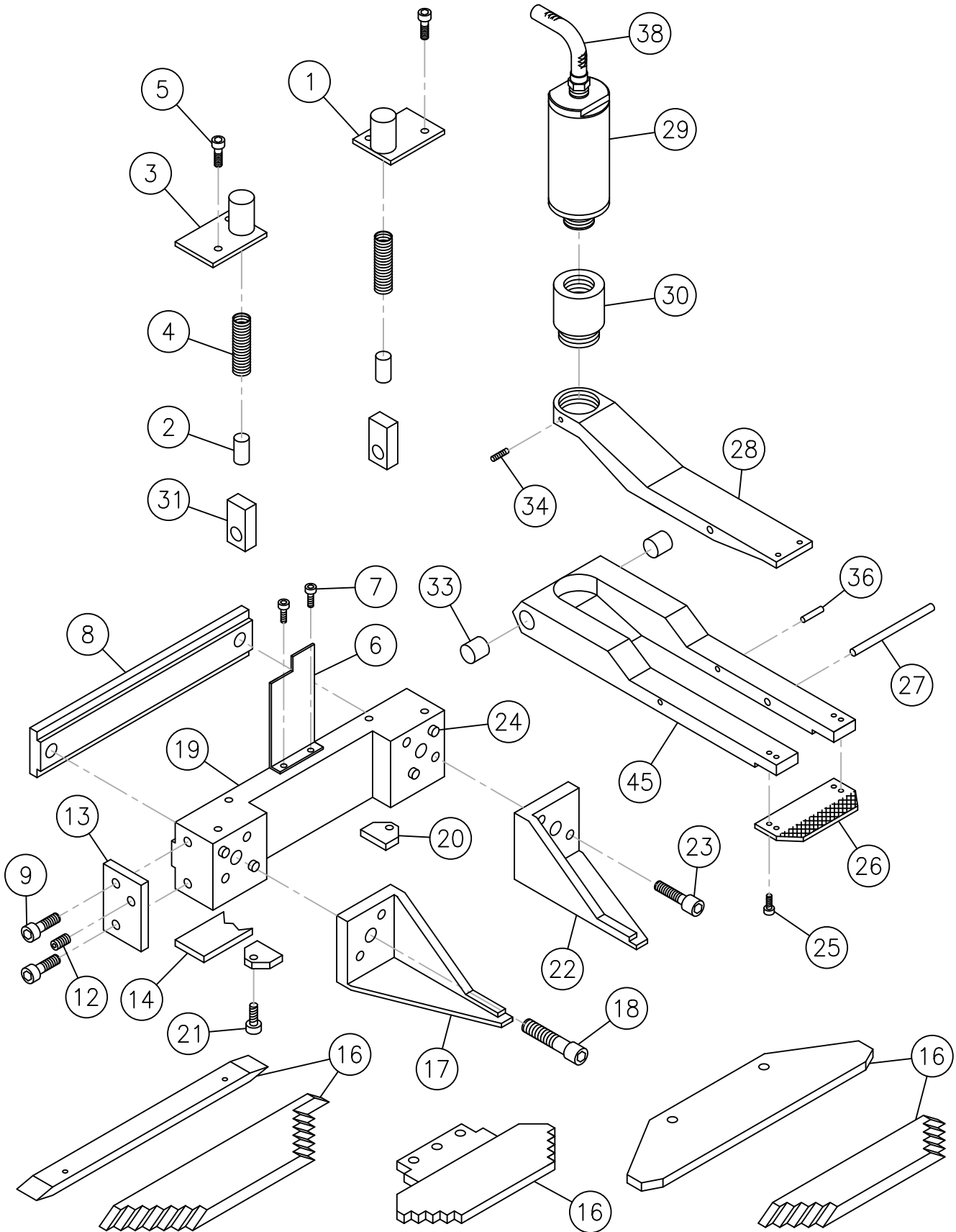
Dwg No.	DMC Part No.	Description	Price
00	MH5ADO	Doublewide Complete Assembly	
01	MH5ACP-01	Retainer	
02	MH5ACP-05	Dowel	
03	MH5ACP-03	Retainer	
04	MH5ACP-04	Spring	
05	MHSCS0616	Screw, CS Pkg of 10	
06	MH5ACP-06	Pointer No Longer Available	
07	MHSCS0508	Screw CS, Pkg. of 10	
08	MH5DCP-08	T-Bar	
09	MH5DCP-14	Spacer No Longer Available	
10	MHSCS0824	Screw CS, Pkg. of 10	
12	MHSSS0824	Screw, SS Pkg of 10	
13	MH5ACP-13	Side Plate	
14	MH5DCP-42	Cam Bevel Step Plasma Arc No Longer Available	
15	MH5DCP-40	Cam Step No Longer Available	
15	MH5DCP-43	Cam Three Step No Longer Available	
16	MH5DCP-41	Cam Bevel Step No Longer Available	
17	MH5ACP-17	Guide, RH	
18	MHSCS1273	Screw CS	
19	MH5DCP-19	Slide	
20	MH5ACP-20	Bottom Plate	
21	MHSFS0816	Screw, FH Pkg of 10	
22	MH5ACP-22	Guide, LH	
23	MHSCS0832	Screw CS,Pkg. of 10	
24	MHDOW1032	Dowel	
25	MHSFS0616	Screw, FH Pkg of 10	
26	MH4ALJ	Lower Jaw/Knurrl (Incl. Screws)	
26	MH4CLJ	Lower Jaw/Carbide Style(Incl. Screws)	
27	MH5ACP-27	Dowel	
28	MH4AUJ	Upper Jaw (Incl. Pin)	
29	MH5ACP-29	Air Cylinder	
31	MH5ACP-34	Bushing Sold Each	
33	MH5ACP-33	Pivot Pin Sold Each	
34	MHSSS0608	Screw, SS Pkg of 10	
36	MH5ACP-36	Roll Pin, Pkg of 10	
37	MH5DCP-37	Pivot Arm (Right)	
38	MH5DCP-38	Air Hose	
39	MH5DCP-39	Pivot Arm (Left)	
44	MH4RCP-44	Inside Leg (Tapped)	
45	MH4RCP-45	Inside Leg (Counterbored)	
46	MH4RCP-46L	Body for MH5DCP-37 & 39	
47	MH4RCP-47	Legs	

DIMOCO MANUFACTURING COMPANY INC

To place an order call toll-free 800.524.3020 or fax 816.524.3454 or www.Dimoco.net

MH5HC0 – COMPONENT PARTS

S-40, A-30, W-20, W-30, W-45 *Heavy Unit*



MH5HCO (Heavy Pressure Workholder)
DMC REPLACEMENT Component Parts
WIEDEMANN Models S40 , A30 , W20 , W30 , W45

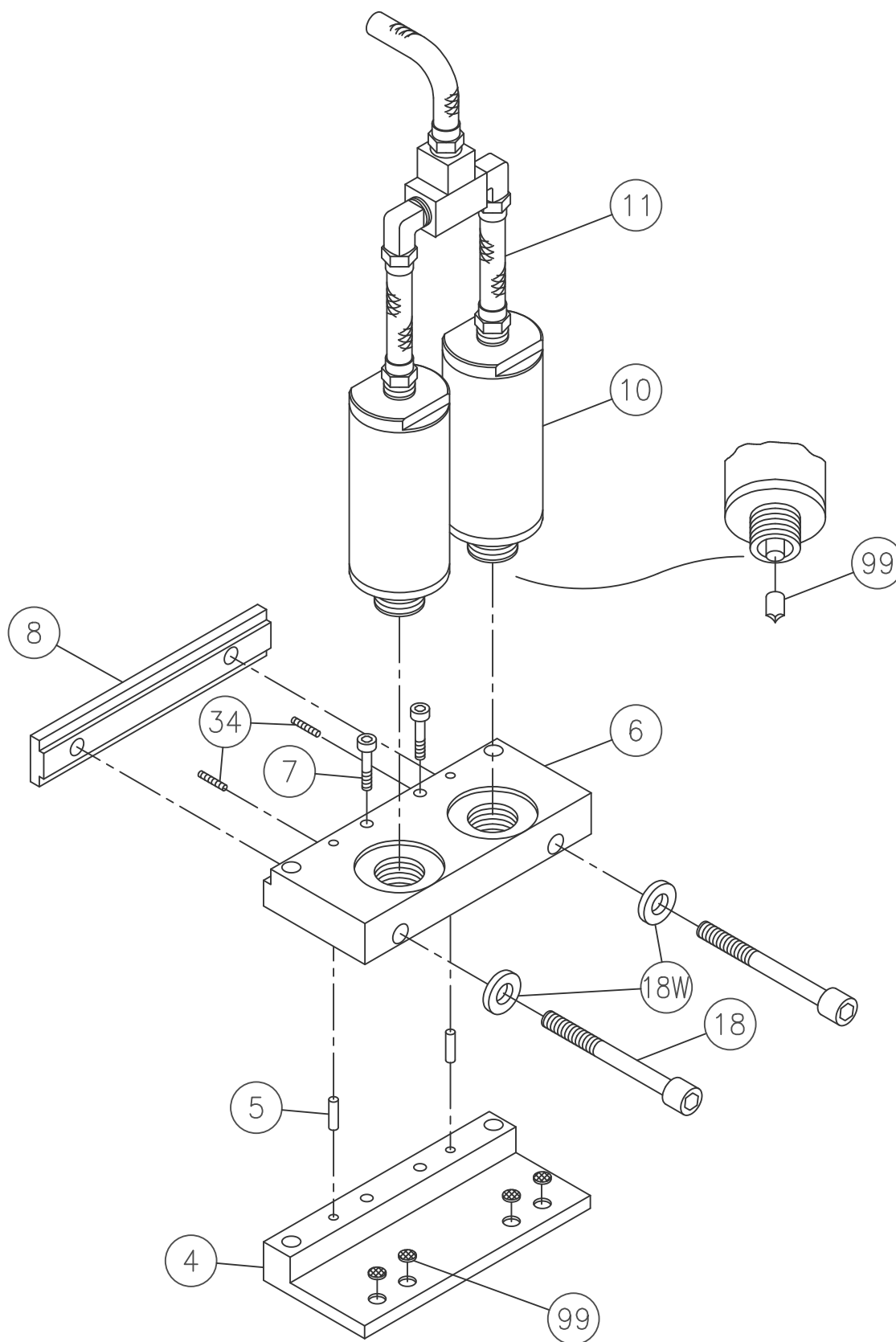
Dwg No.	DMC Part No.	Description	Price
00	MH5HCO	Complete Assembly, Heavy Duty (Large Cylinder)	
00	MH5HJA	Jaw Pack (Incl. #26,27,28,45)	
01	MH5ACP-01	Retainer	
02	MH5ACP-05	Dowel	
03	MH5ACP-03	Retainer	
04	MH5ACP-04	Spring	
05	MHSCS0616	Screw, CS Pkg of 10	
06	MH5ACP-06	Pointer No Longer Available	
07	MHSCS0508	Screw CS, Pkg. of 10	
08	MH5ACP-08	T-Bar	
09	MHSCS0820	Screw, CS Pkg of 10	
13	MH5ACP-13	Side Plate	
14	MH2ACP-14	Spacer No Longer Available	
14	MH4ACP-51	Spacer No Longer Available	
14	MH5ACP-14	Spacer No Longer Available	
16	MH4ACP-40	Cam No Longer Available	
16	MH4ACP-41	Cam No Longer Available	
16	MH5ACP-40	Cam with Steps No Longer Available	
16	MH5ACP-41	Cam Bevel Step No Longer Available	
16	MH5ACP-42	Cam Bevel Step No Longer Available	
16	MH5ACP-43	Cam Bevel Step No Longer Available	
17	MH5ACP-17	Guide, RH	
18	MHSCS1273	Screw CS,	
19	MH5ACP-19	Slide	
20	MH5ACP-20	Bottom Plate	
21	MHSFS0816	Screw, FH Pkg of 10	
22	MH5ACP-22	Guide, LH	
23	MHSCS0832	Screw CS, Pkg. of 10	
24	MHDOW1032	Dowel	
25	MHSFS0616	Screw, FH Pkg of 10	
26	MH4HLJ	Heavy Duty Lower Jaw (Knurl)	
26	MH4HLJ-C	Heavy Duty Lower Jaw(Carbide Style)	
27	MH5ACP-27	Dowel	
28	MH4HUJ	Heavy Duty Upper Jaw (Incl. Pin)	
29	MH5HCP-29	Air Cylinder	
31	MH5ACP-34	Bushing Sold Each	
33	MH5ACP-33	Pivot Pin Sold Each	
34	MHSSS0608	Screw, SS Pkg of 10	
36	MH5ACP-36	Roll Pin, Pkg of 10	
38	MH5ACP-38	Air Hose	
45	MH4APA	Pivot Arm	

DIMOCO MANUFACTURING COMPANY INC

To place an order call toll-free 800.524.3020 or fax 816.524.3454 or www.Dimoco.net

MH6ACO – Stubby Work Holder

A30, S40, W20, W30, W45, A50, A60

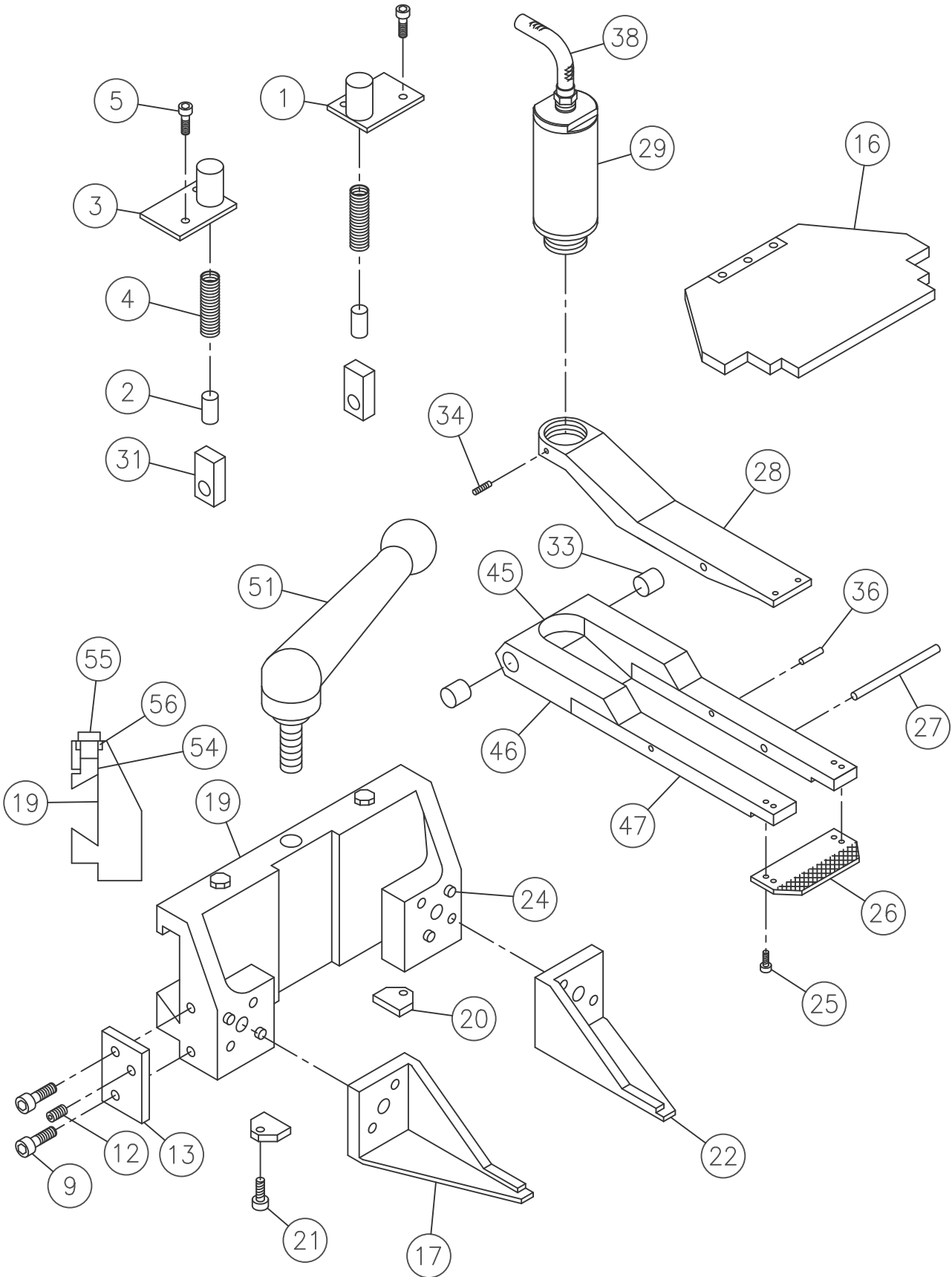


MH6ACO (Stubby Workholder / Large Sheet)
DMC REPLACEMENT Component Parts
 WIEDEMANN Models A30 thru A60 , S40 , W20 thru W45

Dwg No.	DMC Part No.	Description	Price
00	MH6ACO	Complete Assembly (Double Cylinder) Air Style Unit	
04	MH6ACP-04	Lower Unit	
04	MH6ACP-04H	Hydraulic Lower (For -H Units Air / Hydraulic Conversions)	
05	MHDOW0848	Dowel	
06	MH6ACP-06	Upper Unit	
07	MHSCS0840	Bolt , Pkg of 10	
08	MH5ACP-08	T-Bar	
10	MH6ACP-10	Air Cylinder/Each	
11	MH6ACP-11	Air Hose Assembly	
18	MH10ACP-18W	Hardened Washer Sold Each	
18	MHSCS1280	Bolt	
34	MHSSS0608	Screw, SS Pkg of 10	

MH7AC0 – COMPONENT PARTS

C-1000, C-2000, C-3000, S-7000 Centrum



MH7ACO (Standard Length Workholders)
DMC REPLACEMENT Component Parts
MURATA Models Centrum 1000 thru 3000 , S7000

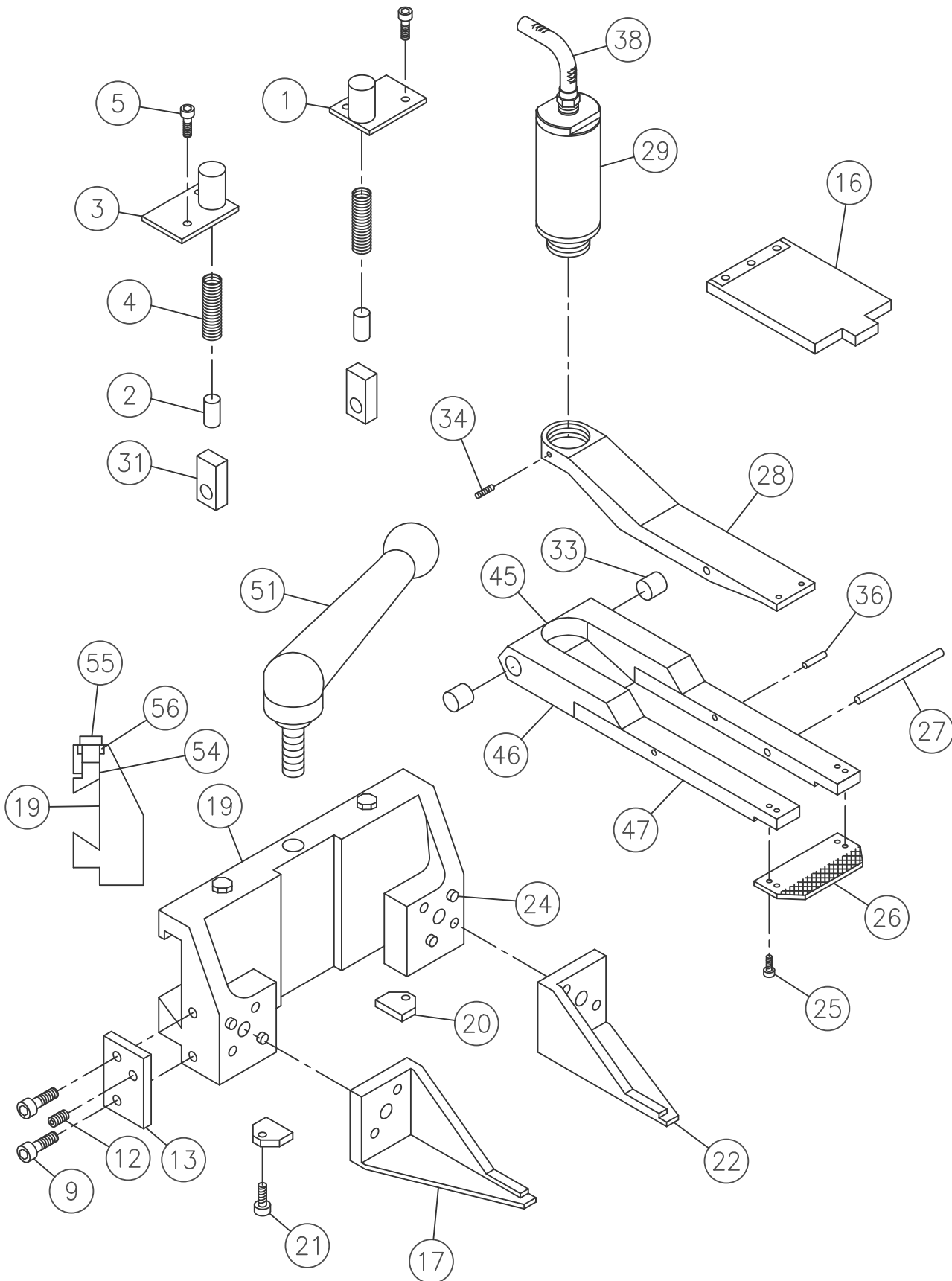
Dwg No.	DMC Part No.	Description	Price
00	MH7ACO	Complete Assembly / Air	
00	MH7ACH	Complete Assembly / Hydraulic	
00	MH7ACO-D	Complete Assembly / Doublewide (Double Clamping)	
01	MH7ACP-01	Retainer	
02	MH5ACP-05	Dowel	
03	MH7ACP-03	Retainer	
04	MH5ACP-04	Spring	
05	MHSCS0616	Screw, CS Pkg of 10	
09	MHSCS0820	Screw, CS Pkg of 10	
12	MHSSS0824	Screw, SS Pkg of 10	
13	MH5ACP-13	Side Plate	
16	MH7ACP-43	Cam/Single/Safety No Longer Available	
16	MH7ACP-43D	Cam/Doublewide/Safety No Longer Available	
17	MH5ACP-17	Guide , RH	
19	MH7ACP-19	Slide	
20	MH5ACP-20	Bottom Plate	
21	MHSFS0816	Screw, FH Pkg of 10	
22	MH5ACP-22	Guide, LH	
23	MHSCS0832	Screw / CS , Pkg of 10	
24	MHDOW1032	Dowel	
25	MHSFS0616	Screw, FH Pkg of 10	
26	MH4ALJ	Lower Jaw / Knurl (Incl. Screws)	
26	MH4CLJ	Lower Jaw / Carbide Style(Incl. Screws)	
27	MH5ACP-27	Dowel	
28	MH4AUJ	Upper Jaw (Incl. Pin)	
29	MH5ACP-29	Air Cylinder	
29	MH7ARP-29	Hydraulic Cylinder	
31	MH5ACP-34	Bushing Sold Each	
33	MH5ACP-33	Pivot Pin Sold Each	
34	MHSSS0608	Screw, SS Pkg of 10	
36	MH5ACP-36	Roll Pin, Pkg of 10	
38	MH10ACP-38	Hydraulic Hose Assembly / Single / Minus Coupling	
38	MH10DCP-38	Hydraulic Hose Assembly / Double / Minus Coupling	
38	MH5ACP-38	Air Hose Assembly / Single / Includes Coupling	
45	MH4RPA	Replaceable Pivot Arm	
45	MH4RPA-HT	Replaceable Pivot Arm – Hardened Legs	
46	MH4RCP-46	Body for MH4RPA	
47	MH4RCP-47	Legs	
51	MH7ACP-18M	Clamp Lever	
54	MH7ARP-22	Clamp Dove Tail	
55	MH7ACP-05	Shoulder Bolt	
56	MH7ACP-06	Spring	

DIMOCO MANUFACTURING COMPANY INC

To place an order call toll-free 800.524.3020 or fax 816.524.3454 or www.Dimoco.net

MH7AC0-T – COMPONENT PARTS

Double Track Unit



MH7ACO-T (Double Track Length Workholder)
DMC REPLACEMENT Component Parts
MURATA Models Centrum C1000 thru 3000 & S7000

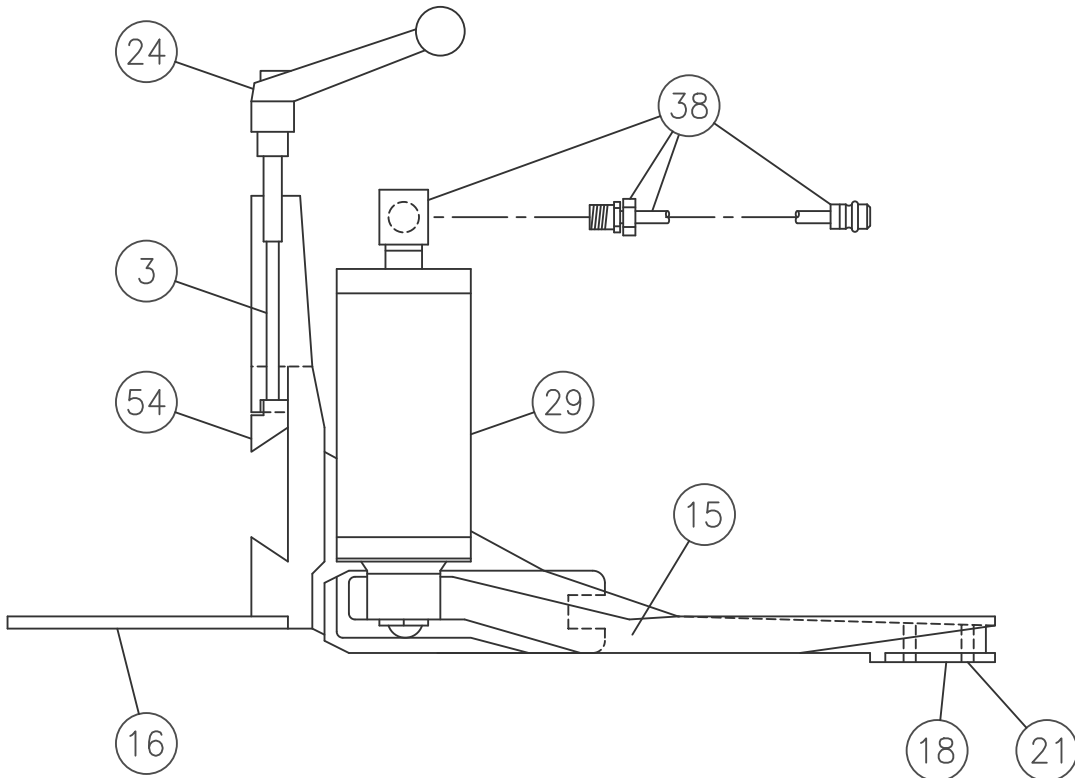
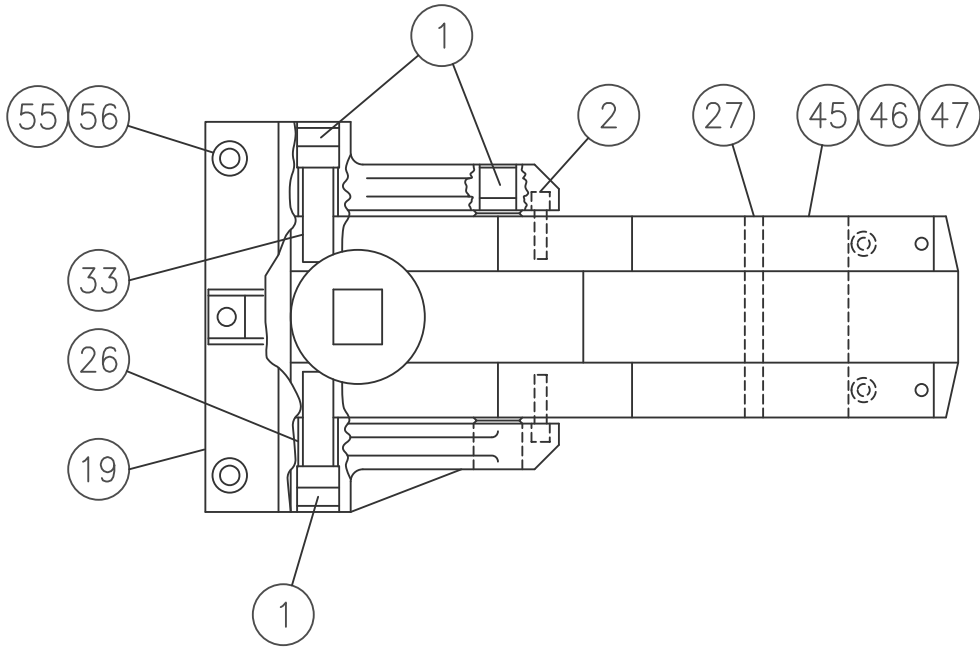
Dwg No.	DMC Part No.	Description	Price
00	MH7ACO-DT	Doublewide / Double Track Complete Assembly	
00	MH7ACO-T	Singlewide / Double Track Complete Assembly	
01	MH7ACP-01	Retainer	
02	MH5ACP-05	Dowel	
03	MH7ACP-03	Retainer	
04	MH5ACP-04	Spring	
05	MHSCS0616	Screw, CS Pkg of 10	
09	MHSCS0820	Screw, CS Pkg of 10	
12	MHSSS0824	Screw, SS Pkg of 10	
13	MH5ACP-13	Side Plate	
16	MH7ACP-16T	Cam/Double Track/Safety No Longer Available	
17	MH5ACP-17	Guide , RH	
19	MH7ACP-19	Slide	
19	MH7DCP-19	Doublewide Slide	
20	MH5ACP-20	Bottom Plate	
21	MHSFS0816	Screw, FH Pkg of 10	
22	MH5ACP-22	Guide , LH	
24	MHDOW1032	Dowel	
25	MHSFS0616	Screw, FH Pkg of 10	
26	MH4ALJ	Lower Jaw / Knurl Style (Incl. Screws)	
26	MH4CLJ	Lower Jaw / Carbide Style (Incl. Screws)	
27	MH5ACP-27	Dowel	
28	MH4AUJ-T	Upper Jaw / Double Track	
29	MH7ARP-29	Hydraulic Cylinder	
31	MH5ACP-34	Bushing Sold Each	
33	MH5ACP-33	Pivot Pin Sold Each	
34	MHSSS0608	Screw, SS Pkg of 10	
36	MH5ACP-36	Roll Pin, Pkg of 10	
38	MH10ACP-38	Hydraulic Hose Assembly / Single/Minus Coupling	
38	MH10DCP-38	Hydraulic Hose Assembly / Double/Minus Coupling	
45	MH4RPA-T	Replaceable Pivot Arm/Double Track	
46	MH4RCP-46	Body for MH4RPA	
47	MH4RCP-44T	Leg for Double Track / Tapped	
47	MH4RCP-45T	Leg for Double Track / Counterbored	
47	MH4RCP-47T	Replaceable Leg for Double Track	
51	MH7ACP-18M	Clamp Lever	
54	MH7ARP-22	Clamp Dove Tail	
55	MH7ACP-05	Shoulder Bolt	
56	MH7ACP-06	Spring	

DIMOCO MANUFACTURING COMPANY INC

To place an order call toll-free 800.524.3020 or fax 816.524.3454 or www.Dimoco.net

MH7ARP – COMPONENT PARTS

C-1000, C-2000, C-3000 (One-Piece Backslide)



MH7ARP (1 pcs Back Slide Standard & DT Length)

DMC REPLACEMENT Component Parts

MURATA Models Centrum 1000 thru 3000 , S7000

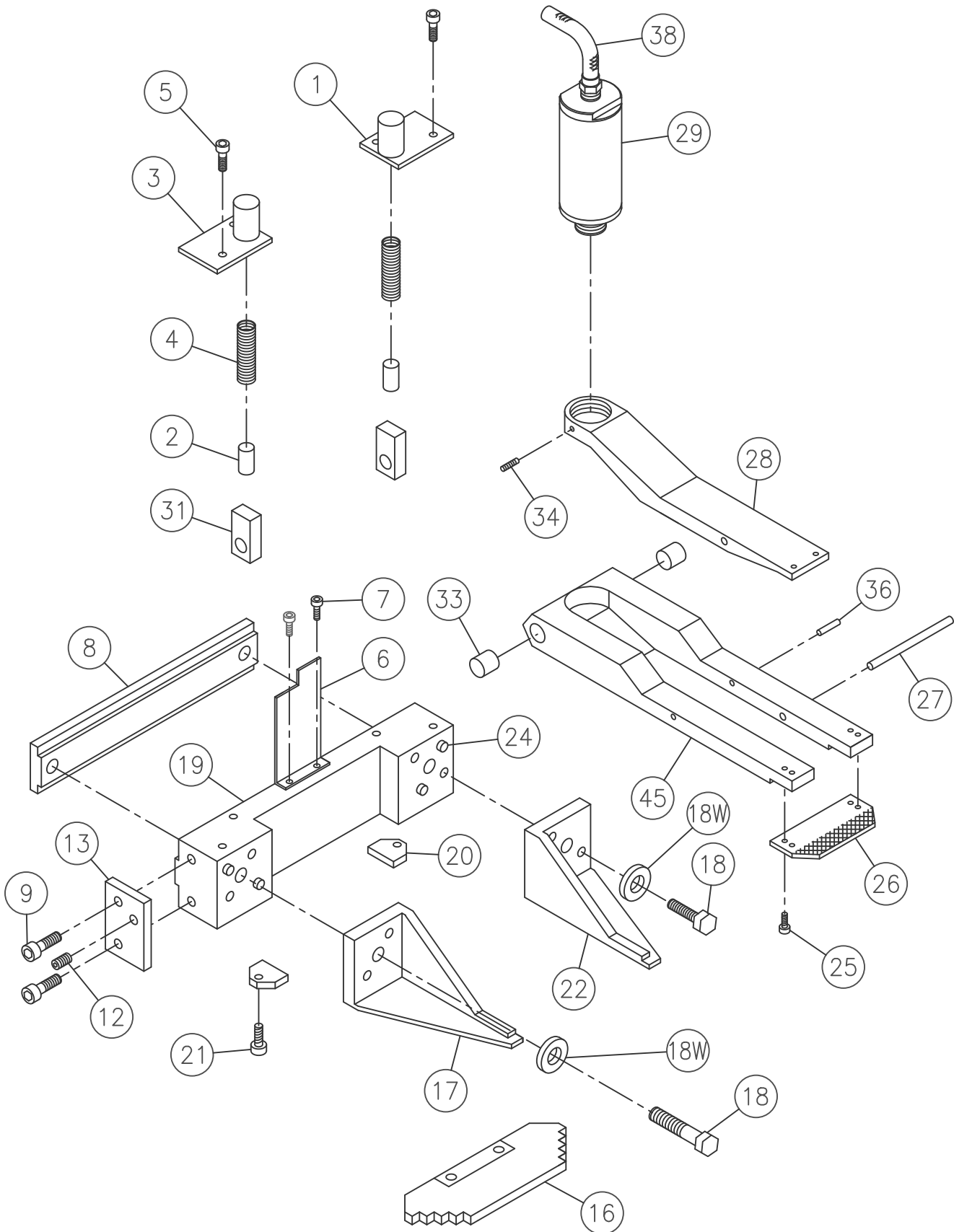
Dwg No.	DMC Part No.	Description	Price
00	MH7ARP-CH	Complete Assem/Hyd/One Pcs Slide-- No Longer Avail	
00	MH7ARP-CO	Complete Assem/Air/One Pcs Slide-- No Longer Avail	
A00	MH7ARP-T	Dbl Track Complete Assem/One Pcs Slide- No Longer Avail	
00	MH7RJA	Jaw Pack (Incl. #15,18,27,33,45)	
01	MH7ARP-01	Disc/Set/2 Pcs Sold One Side Only	
02	MH7ARP-02	Roll Pin(Pkg. of 10)	
03	MH7ARP-03	Dowel	
15	MH7AUJ	Upper Jaw Standard Length	
15	MH7AUJ-T	Upper Jaw / Double Track Length	
16	MH7ACP-43	Cam/Single Wide/Safety-- No Longer Avail	
18	MH4ALJ-M	Lower Jaw / Metric / Knurl Style (Incl. Screws)	
18	MH4CLJ-M	Lower Jaw / Metric / Carbide Style(Incl. Screws)	
19	MH7ARP-19	Slide No Longer Avail	
21	MH7ARP-21	Screw, FH Pkg of 10	
24	MH7ARP-18M	Clamp Lever	
26	MH7ARP-26	Bushing Sold Each	
27	MH7ARP-27	Pivot Pin	
29	MH5ACP-29	Air Cylinder	
29	MH7ARP-29	Hydraulic Cylinder	
33	MH7RCP-33	Dowel 2 Pcs/Set	
38	MH10ACP-38	Hydraulic Hose Assembly/Single/Minus Coupling	
38	MH5ACP-38	Air Hose Includes Coupling	
45	MH7RPA	Replaceable Pivot Arm / Standard Length	
45	MH7RPA-T	Replaceable Pivot Arm / Double Track Length	
46	MH7RCP-46	Body for #45	
47	MH7RCP-47	Leg for MH7RPA Standard Length	
47	MH7RCP-47T	Leg for MH7RPA-T Double Track Length	
54	MH7ARP-22	Clamp Dove Tail	
55	MH7ACP-05	Shoulder Bolt	
56	MH7ACP-06	Spring	

DIMOCO MANUFACTURING COMPANY INC

To place an order call toll-free 800.524.3020 or fax 816.524.3454 or www.Dimoco.net

MH10ACO – COMPONENT PARTS

Magnum 5000



MH10ACO (Hydraulic Workholders / Air on Special Order)

DMC REPLACEMENT Component Parts

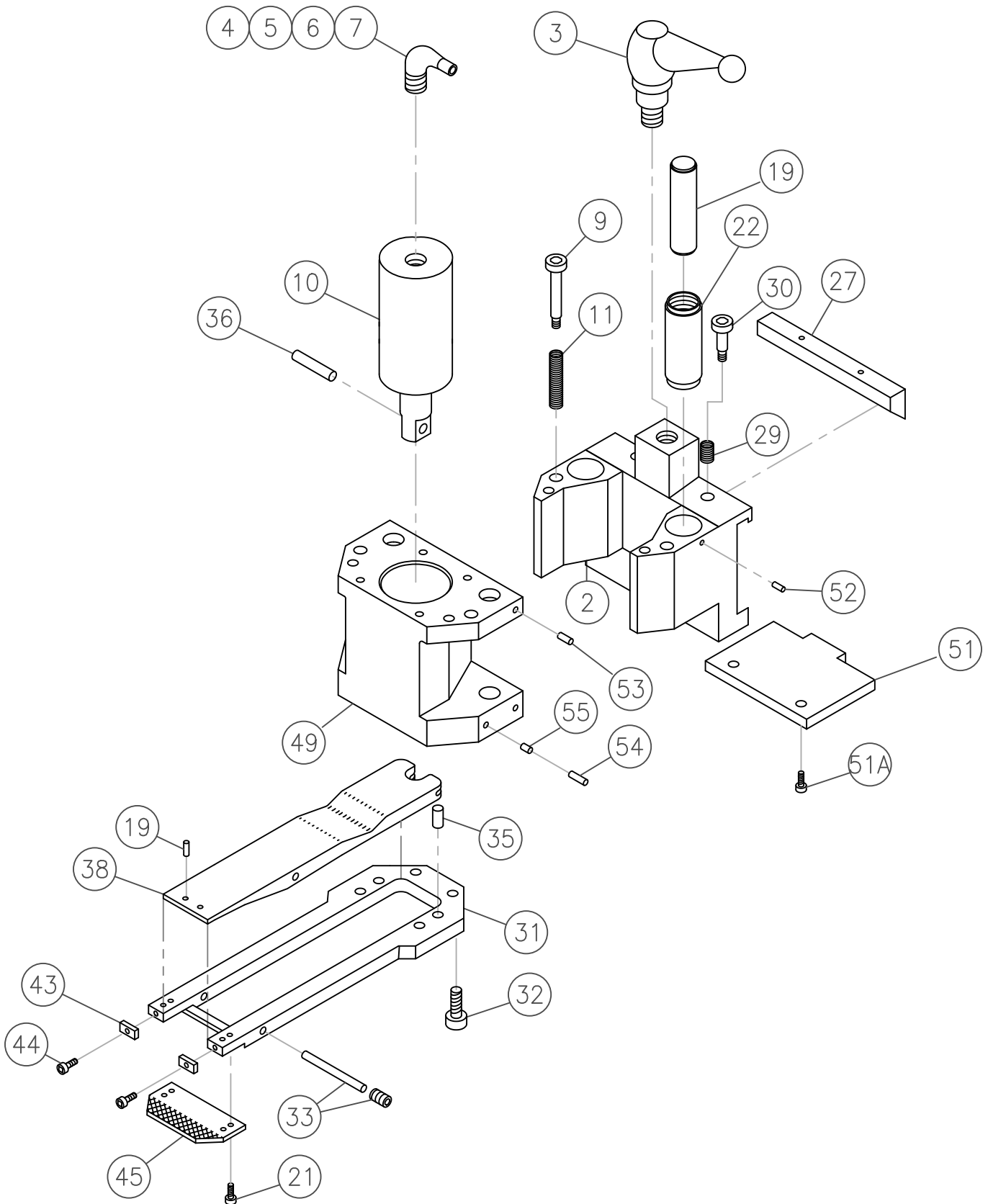
WIEDEMANN MURATA Models Vectrum — Magnum 5000

Dwg No.	DMC Part No.	Description	Price
00	MH10ACO	Complete Assembly	
00	MH10ADO	Doublewide Complete Assembly	
00	MH10AJA	Jaw Pack (Incl. #26,27,28,45)	
00	MH10AJA-C	Jaw Pack / Carbide Style	No Longer Available
00	MH10DJA	Doublewide Jaw Pack	
00	MH10DJA-C	Doublewide Jaw Pack	No Longer Available
01	MH5ACP-01	Retainer	
02	MH5ACP-05	Dowel	
03	MH5ACP-03	Retainer	
04	MH5ACP-04	Spring	
05	MHSCS05X15	Screw, AH Pkg of 10	
06	MH10ACP-06	Pointer	
08	MH10ACP-08	T-Bar	
08	MH10DCP-08	Doublewide T-Bar	
13	MH10ACP-13	Side Plate	
16	MH10ACP-42	Cam	No Longer Available
16	MH10DCP-42	Doublewide Cam	No Longer Available
17	MH10ACP-17	Guide, RH	
18	MH10ACP-18	Hex Bolt	
18	MH10ACP-18W	Hardened Washer	
19	MH10ACP-19	Slide	
19	MH10DCP-19	Doublewide Back Slide	
20	MH5ACP-20	Bottom Plate	
22	MH10ACP-22	Guide, LH	
25	MHSFS08X20	Screw, FH Pkg of 10	
26	MH10ALJ	Lower Jaw / Knurl Style	
26	MH10ALJ-EG	Lower Jaw / Knurl Style – Extended Grip / SN541UP	
26	MH10CLJ	Lower Jaw/Carbide Style	No Longer Available
26	MH10CLJ-EG	Lower Jaw/Carbide Style	No Longer Available
27	MH10ACP-27	Dowel/Straight	
27	MH10ACP-27S	Dowel/Stepped	
28	MH10AUJ	Upper Jaw	
29	MH7ARP-29	Hydraulic Cylinder	
31	MH10ACP-34	Bushing Sold Each	
33	MH10ACP-33	Dowel Sold Each	
37	MH10DCP-37	Pivot Arm, Right	
38	MH10ACP-38	Hydraulic Hose Assembly/Single/Minus Coupling	
38	MH10DCP-38	Hydraulic Hose Assembly/Double/Minus Coupling	
39	MH10DCP-39	Pivot Arm, Left	
45	MH10APA	Pivot Arm	
99	MH10ACP-38A	Elbow	
99	MH10ACP-38B	Hose	

DIMOCO MANUFACTURING COMPANY INC

To place an order call toll-free 800.524.3020 or fax 816.524.3454 or www.Dimoco.net

Vectrum[®] – Motorum[®] – New Style – Air



MH11ACO
DMC REPLACEMENT Component Parts
MURATA Models Vectrum — Motorum — New Style Air

Dwg No.	DMC Part No.	Description	Price
00	MH11ACO	Complete Assembly	
00	MH11ADO	Doublewide Complete Assembly No Longer Available	
00	MH11AJA	Jaw Pack (Incl. #31,33,38,45)	
00	MH11AJA-C	Jaw Pack / Carbide Style (Incl. #31,33,38,45)	
00	MH11DJA	Doublewide Jaw Pack	
00	MH11DJA-C	Doublewide Jaw Pack / Carbide Style	
02	MH11ACP-19	Clamp Housing DMC STYLE not OEM	
03	MH11ACP-18	Clamp Lever(Incl. Pin)	
04	MH11ACP-38	Hose / Coupling plus Metric Hose Fitting	
04	MH6MCP-38A	Elbow	
05	MH6MCP-38B	Flexible Tubing	
06	MH6MCP-38C	Male Nipple	
07	MH6MCP-38D	Coupler Assembly	
10	MH2MCP-29	Air Cylinder (2 req. on Doublewide)	
19	MH7MCP-SH	Shaft (@ side fit DMC unit only)	
22	MH7MCP-FB	Bearing/ two required (@ side fit DMC unit only)	
22	MH7MCB	Bearing 1 piece (@ side fit DMC unit only)	
27	MH7ARP-22	Clamp Dove Tail	
31	MH11APA	Pivot Arm	
38	MH11AUJ	Upper Jaw	
43	MH11ACP-32	Stopper Plate	
44	MHSFS04X10	Screw, FH Pkg of 10	
45	MH11ALJ	Lower Jaw Knurl Style	
45	MH11CLJ	Lower Jaw / Carbide Style	
49	MH11ACP-22	Cylinder Housing DMC Style not OEM	